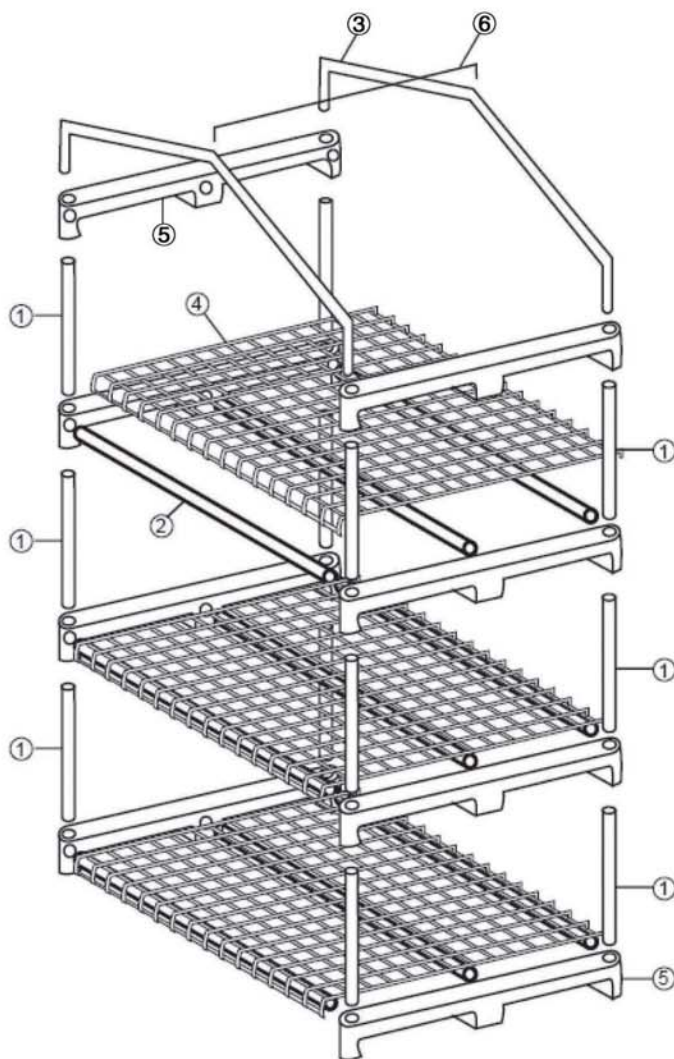


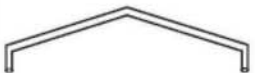
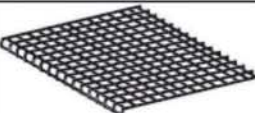
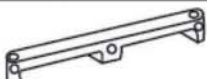




915-10-1011



NO.		QTY
①		12
②		9
③		2
④		3
⑤		8
⑥		1
⑦		1

