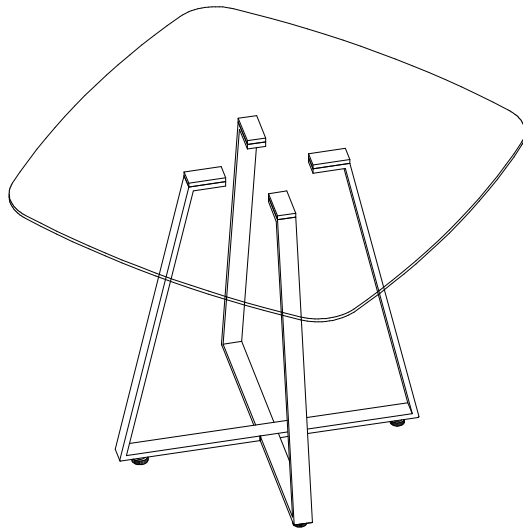


WASSEN

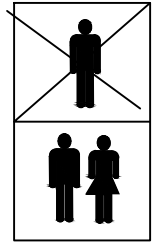
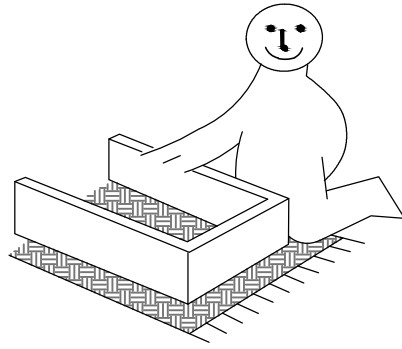
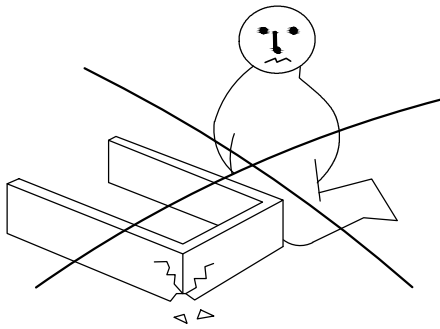
709-14-1006




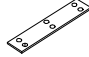
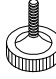
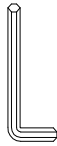


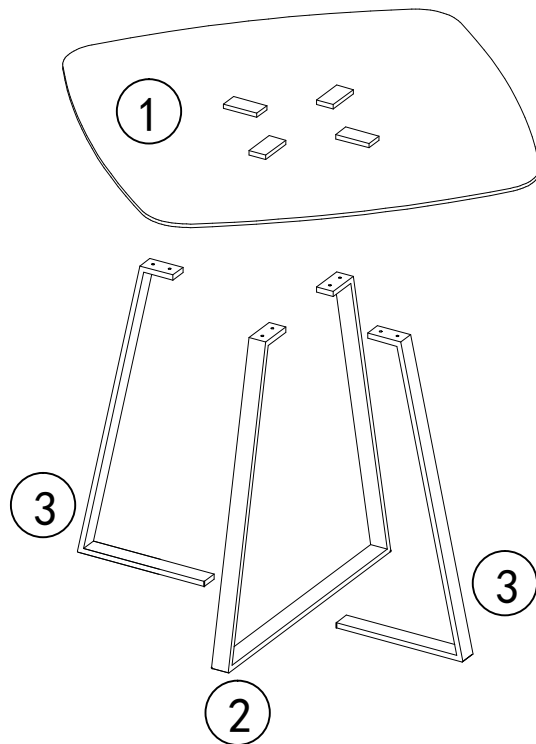
1-5



30
min.



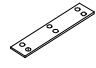



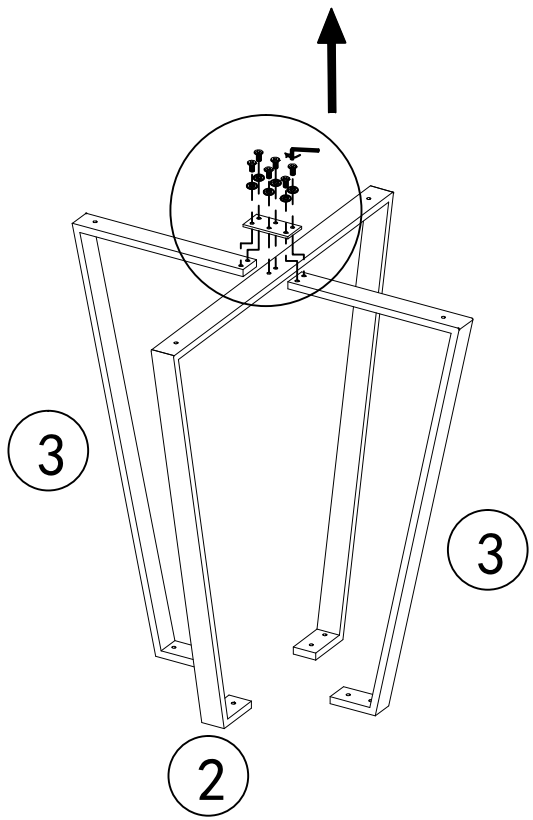
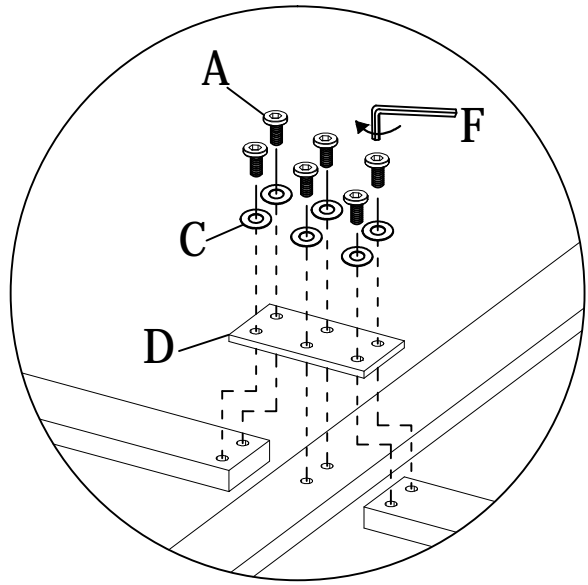
A	B	C	D	E	F
					
6PCS	8PCS	14PC	1PC	4PCS	1PCS



2-5

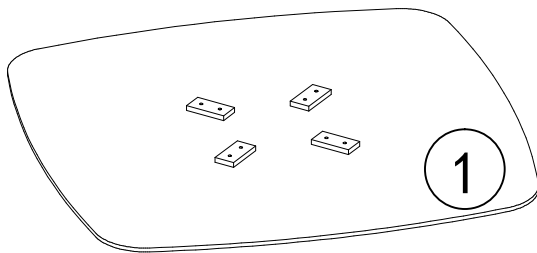
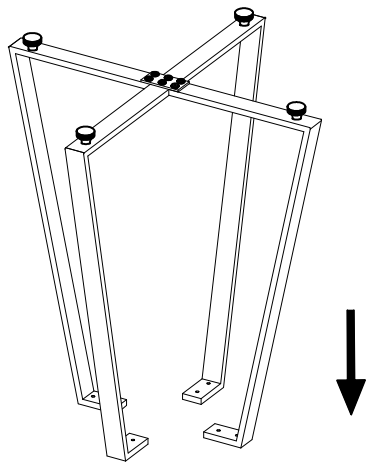
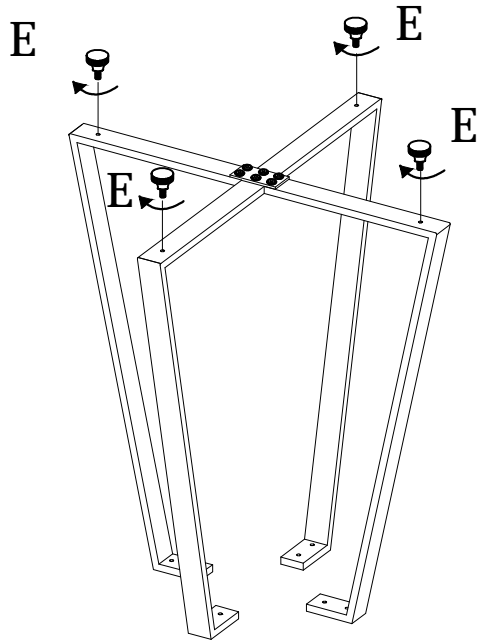
1

			
A x 6	C x 6	D x 1	F x 1






3-5

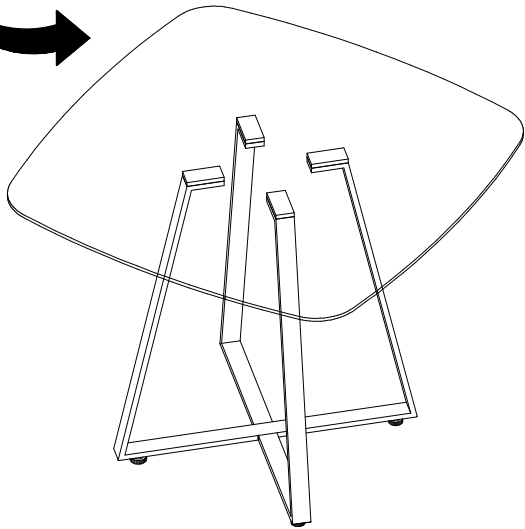
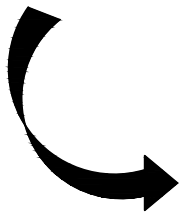
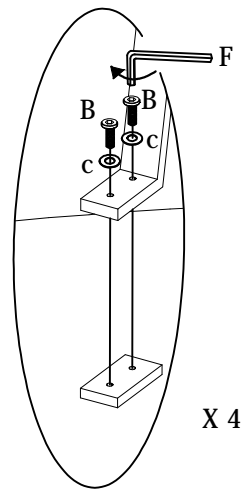
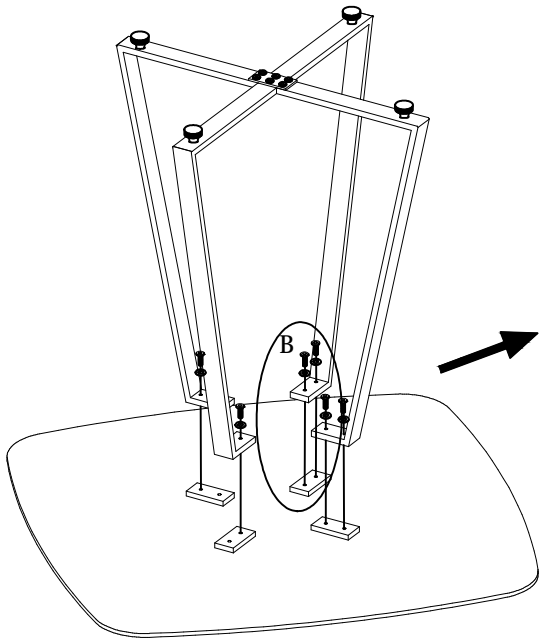
2



4-5

3

		
B x 8	C x 8	F x 1



5-5