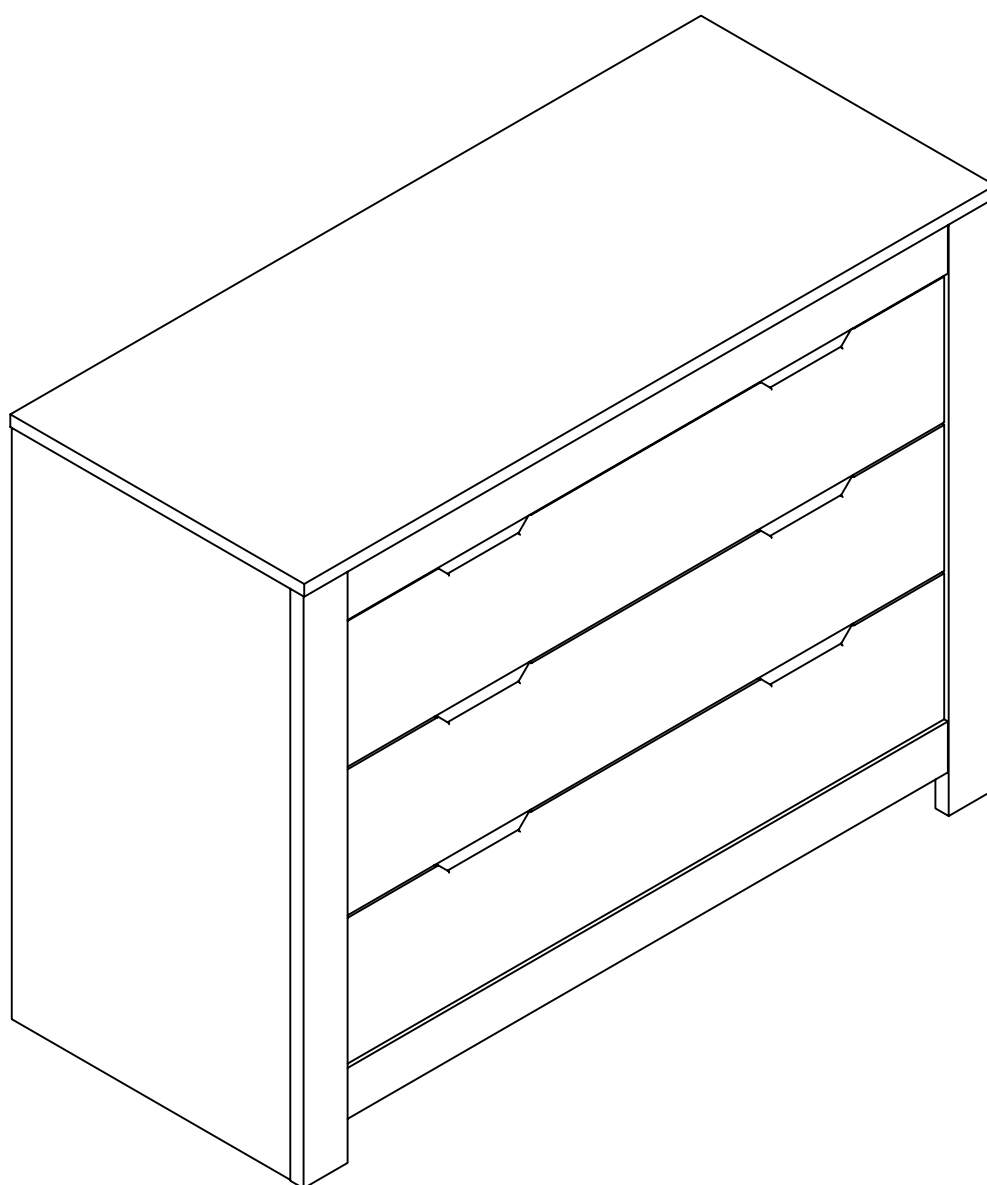
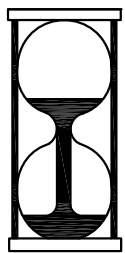
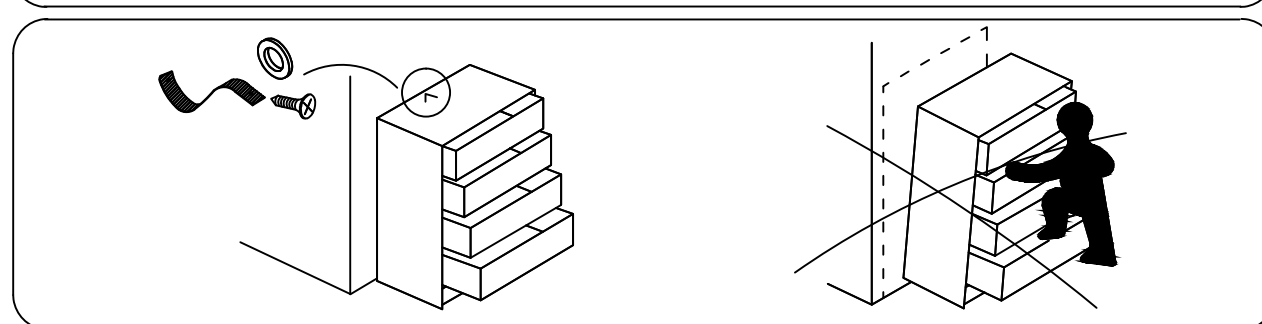
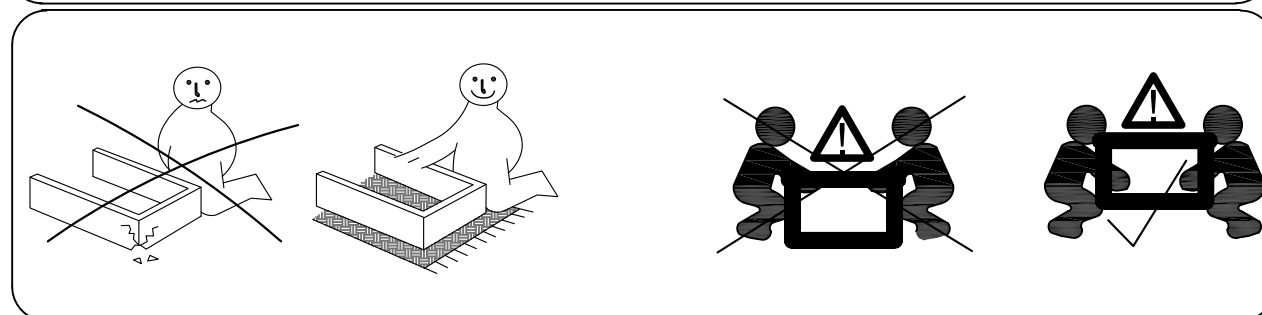
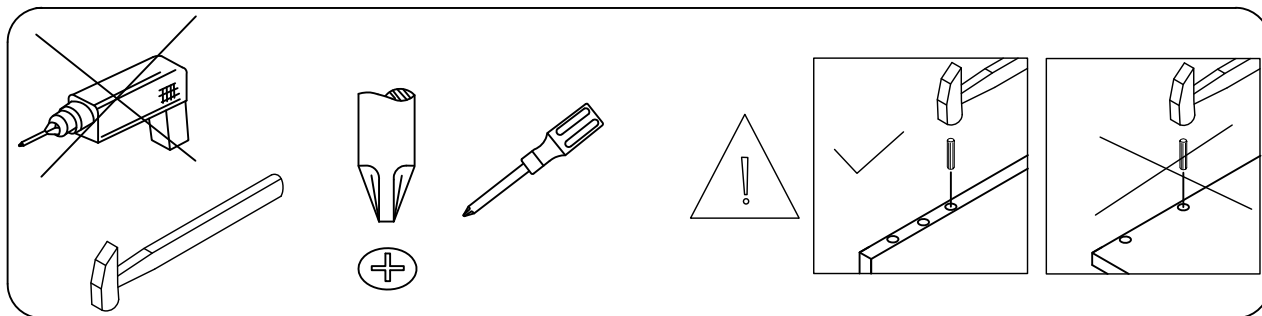
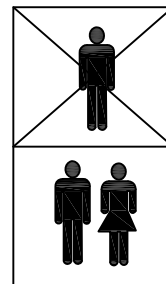
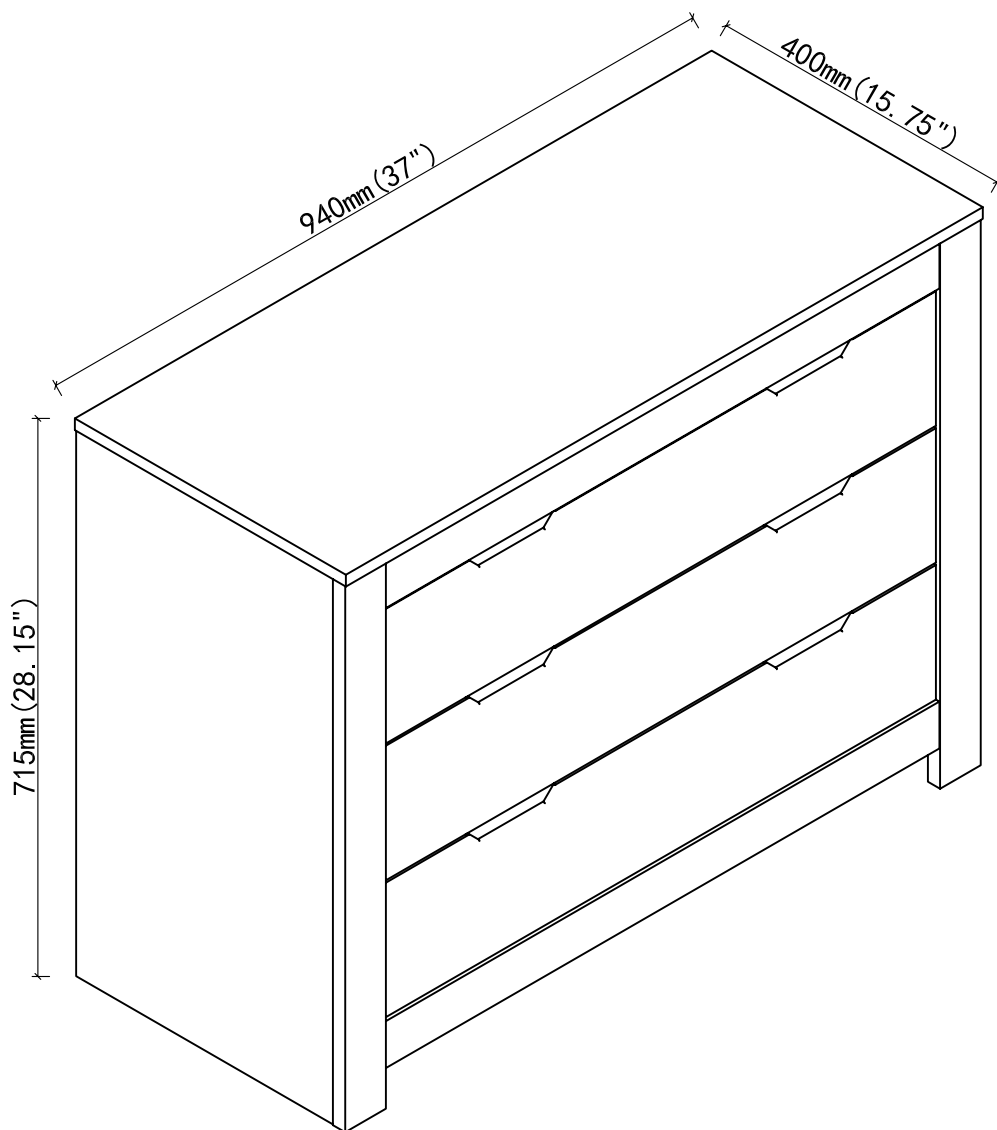


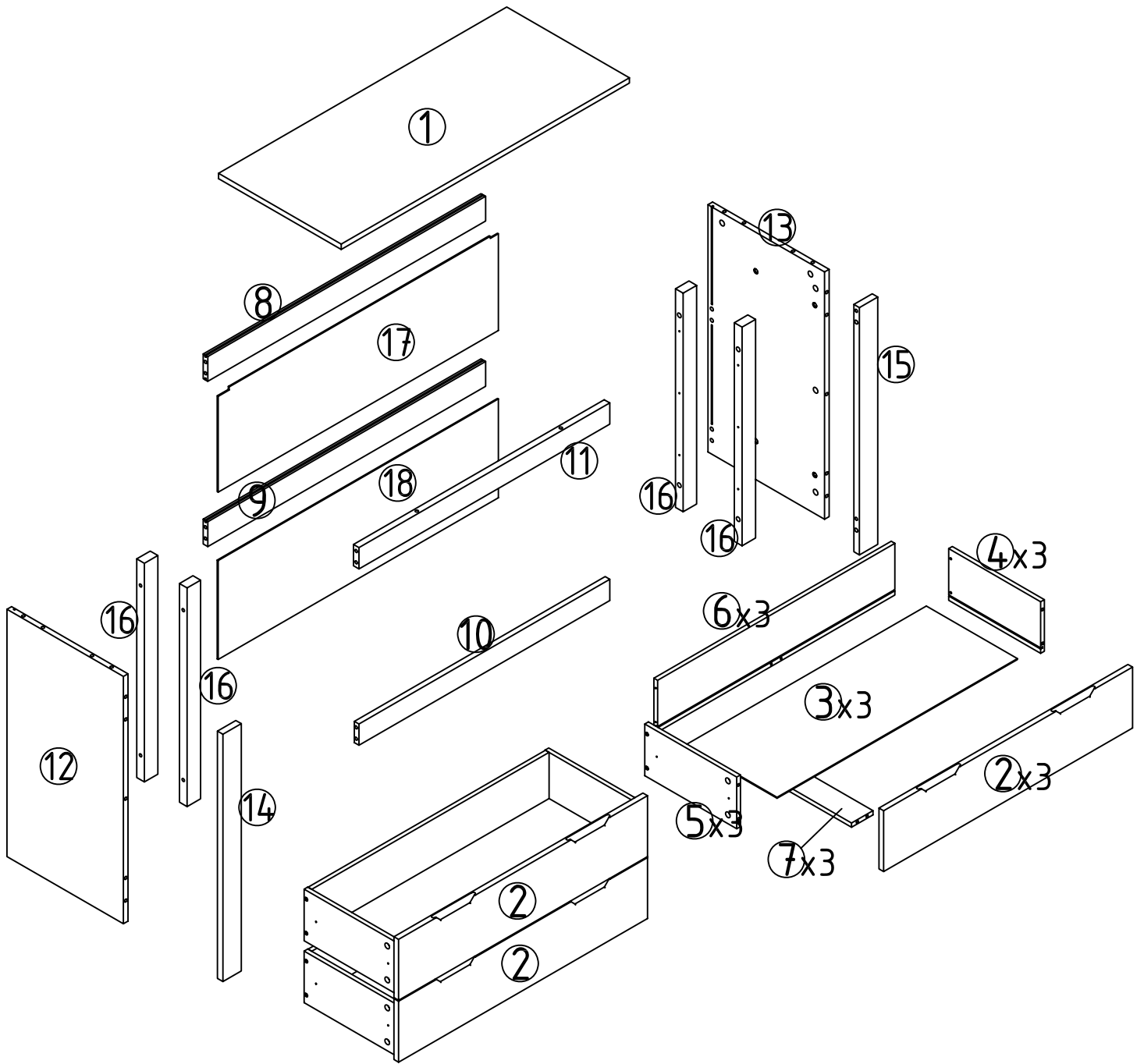
AVAN
703-17-1039

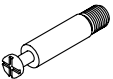
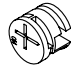
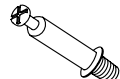
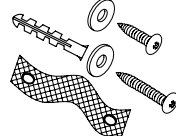
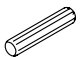
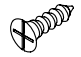
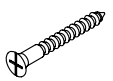
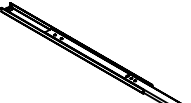




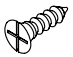




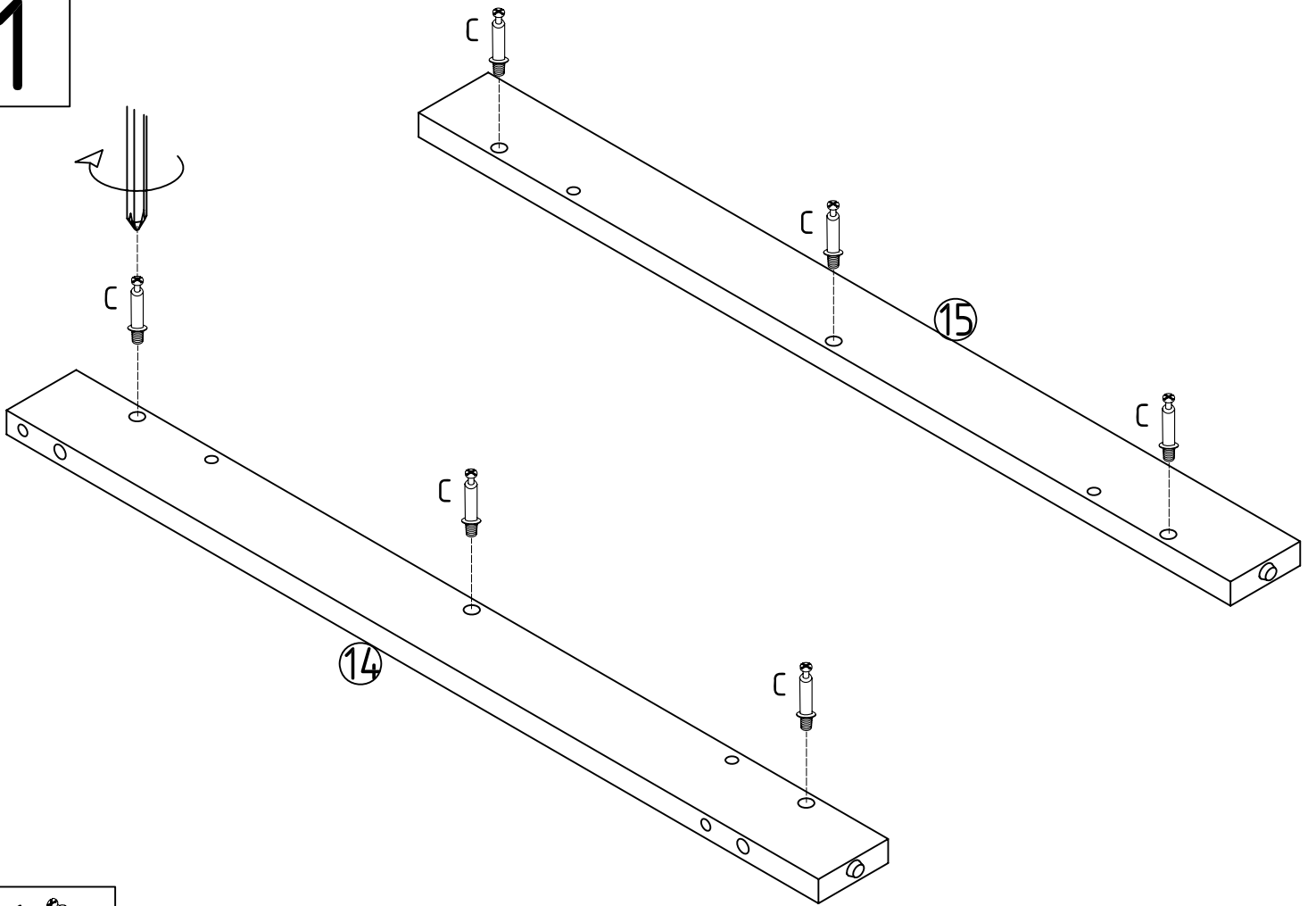
60
min.





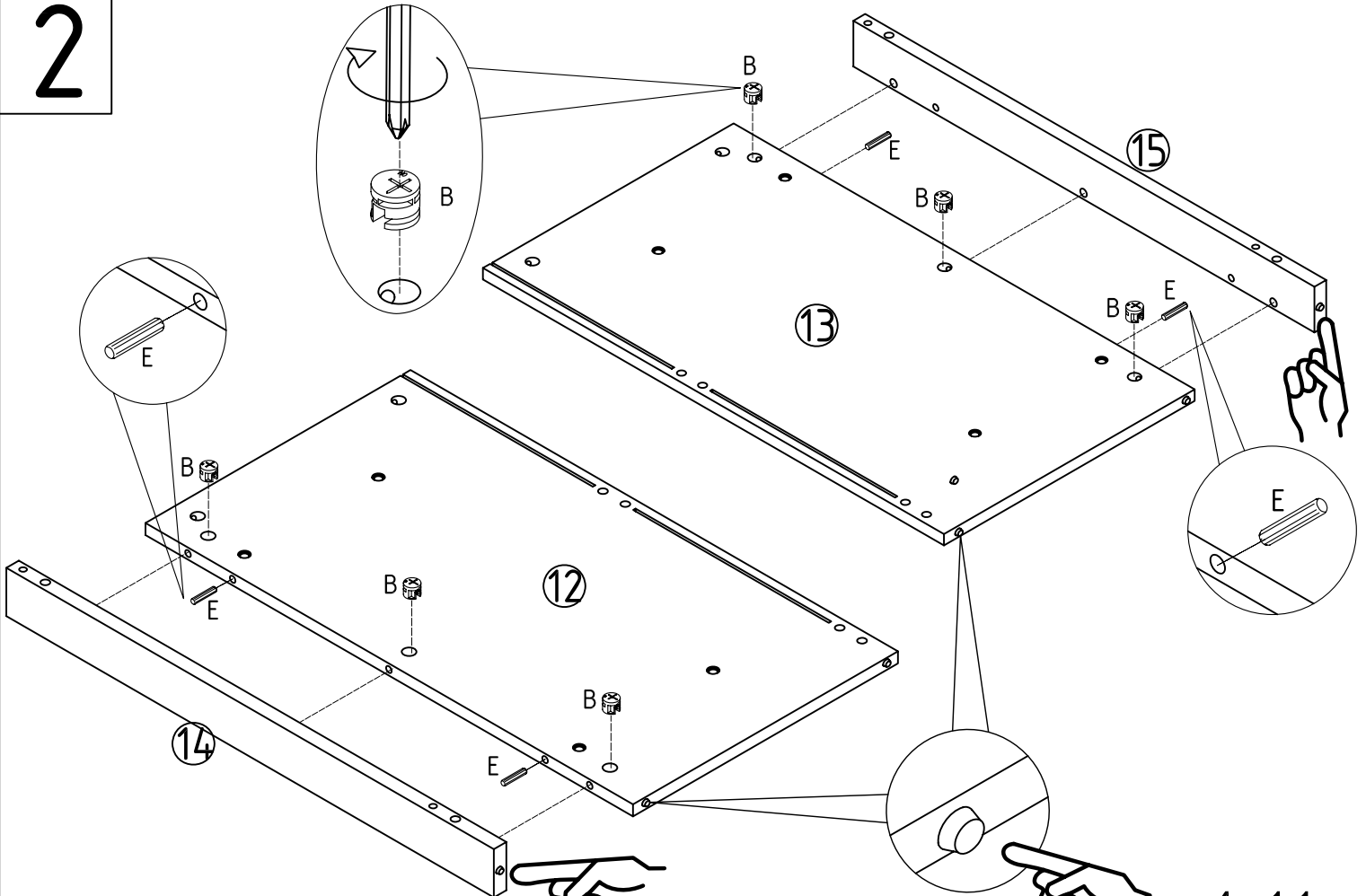
A  $\phi 7*35\text{mm}$ 6PCS	B  $\phi 15*10\text{mm}$ 44PCS	C  $\phi 6*29\text{mm}$ 38PCS	D  2PCS	E  $\phi 8*30\text{mm}$ 10PCS	F  $\phi 3.5*16\text{mm}$ 12PCS
G  $\phi 4*30\text{mm}$ 18PCS	H  $L=300\text{mm}$ 6PCS	I  $M6*40\text{mm}$ 8PCS	J  $\phi 3*16\text{mm}$ 8PCS	K  8PCS	L  4mm 1PC
M  $\phi 3.5*12\text{mm}$ 12PCS					

1



C x6 

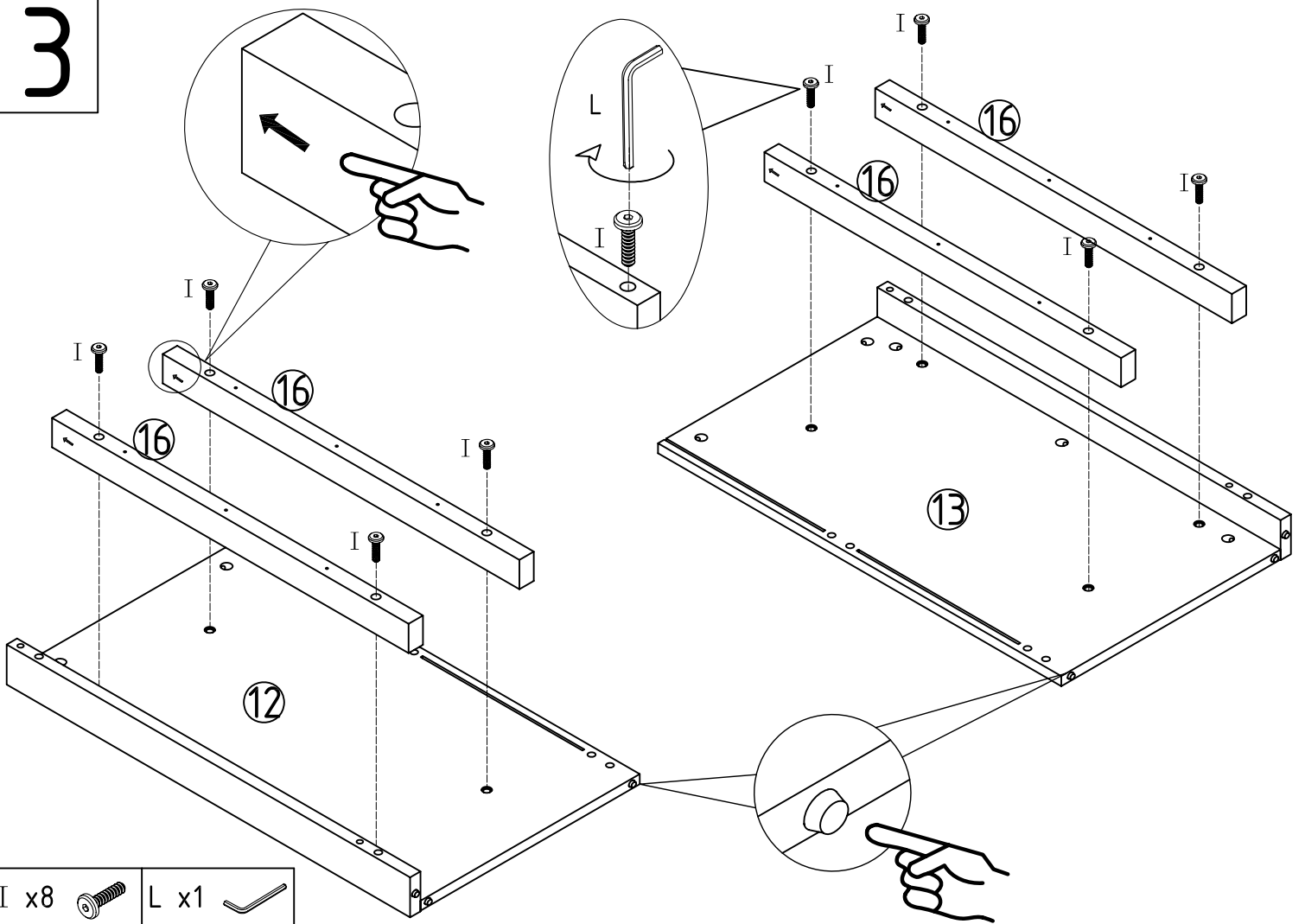
2



B x6  E x4 

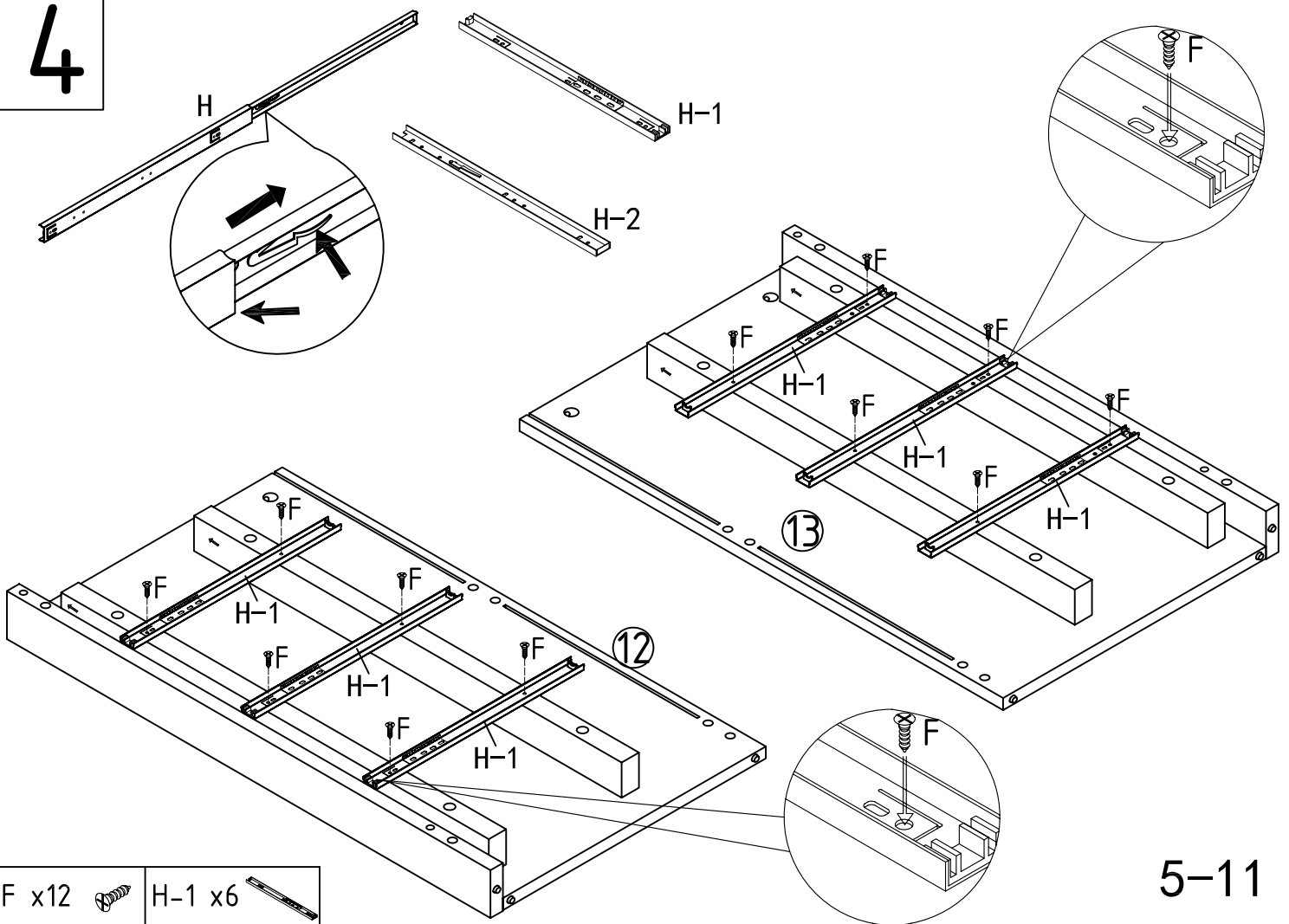
4-11



3



I x8  L x1 

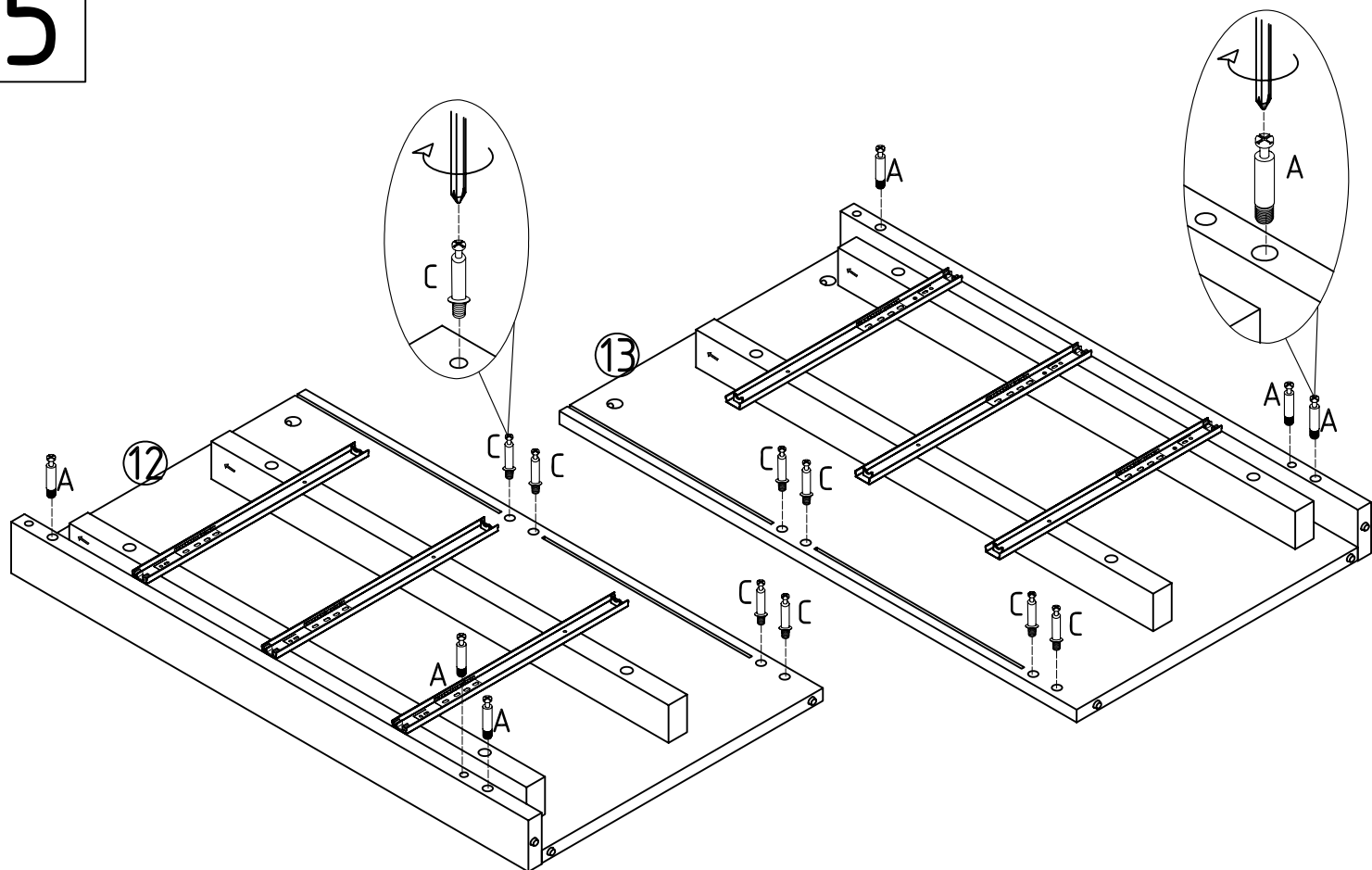
4





F x12  H-1 x6 

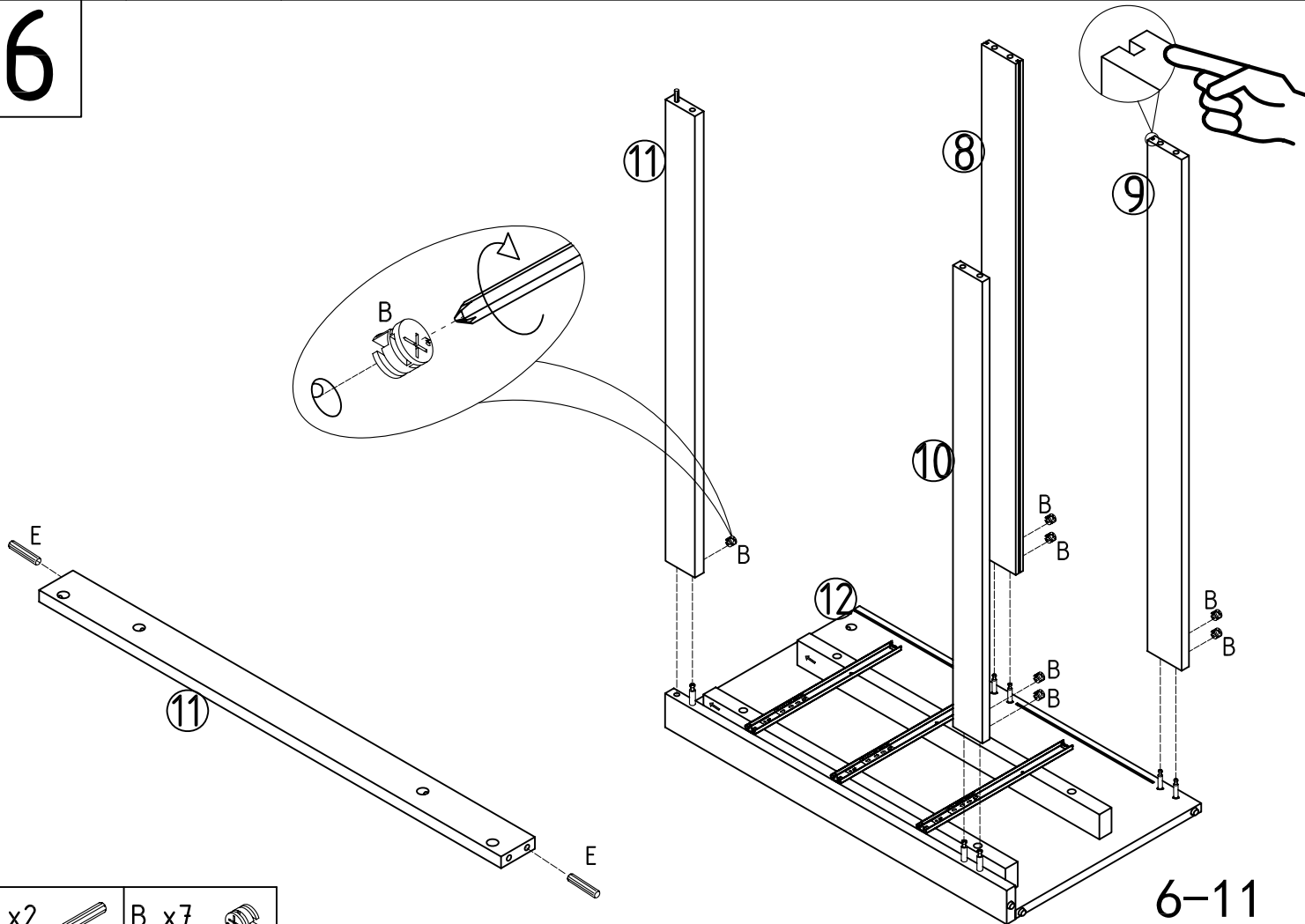
5-11

5



A x6  C x8 

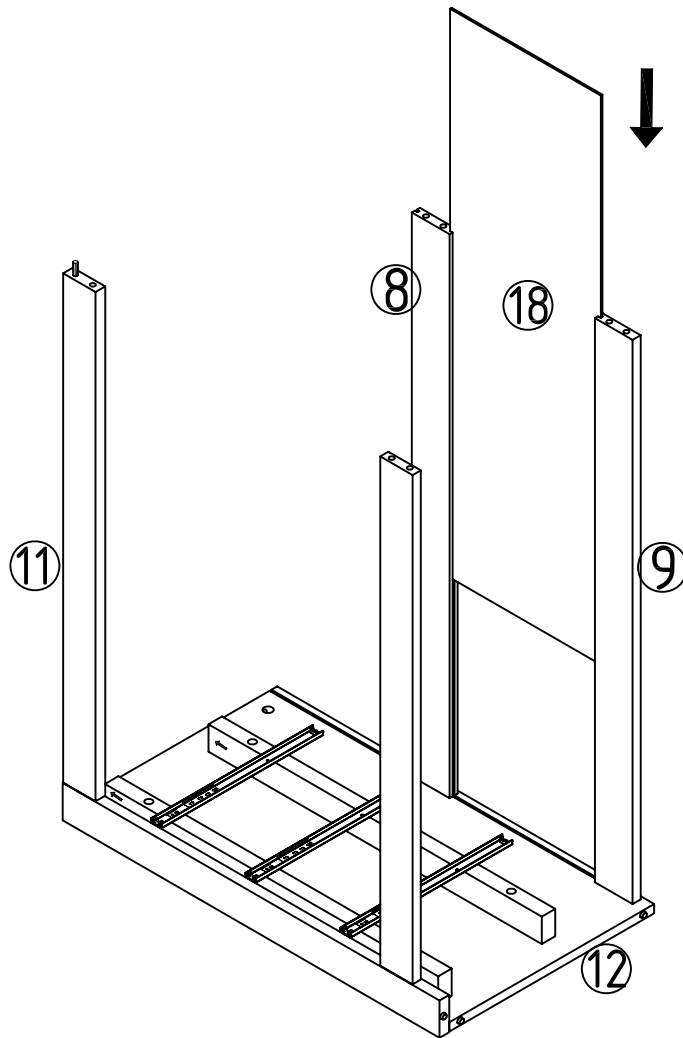
6



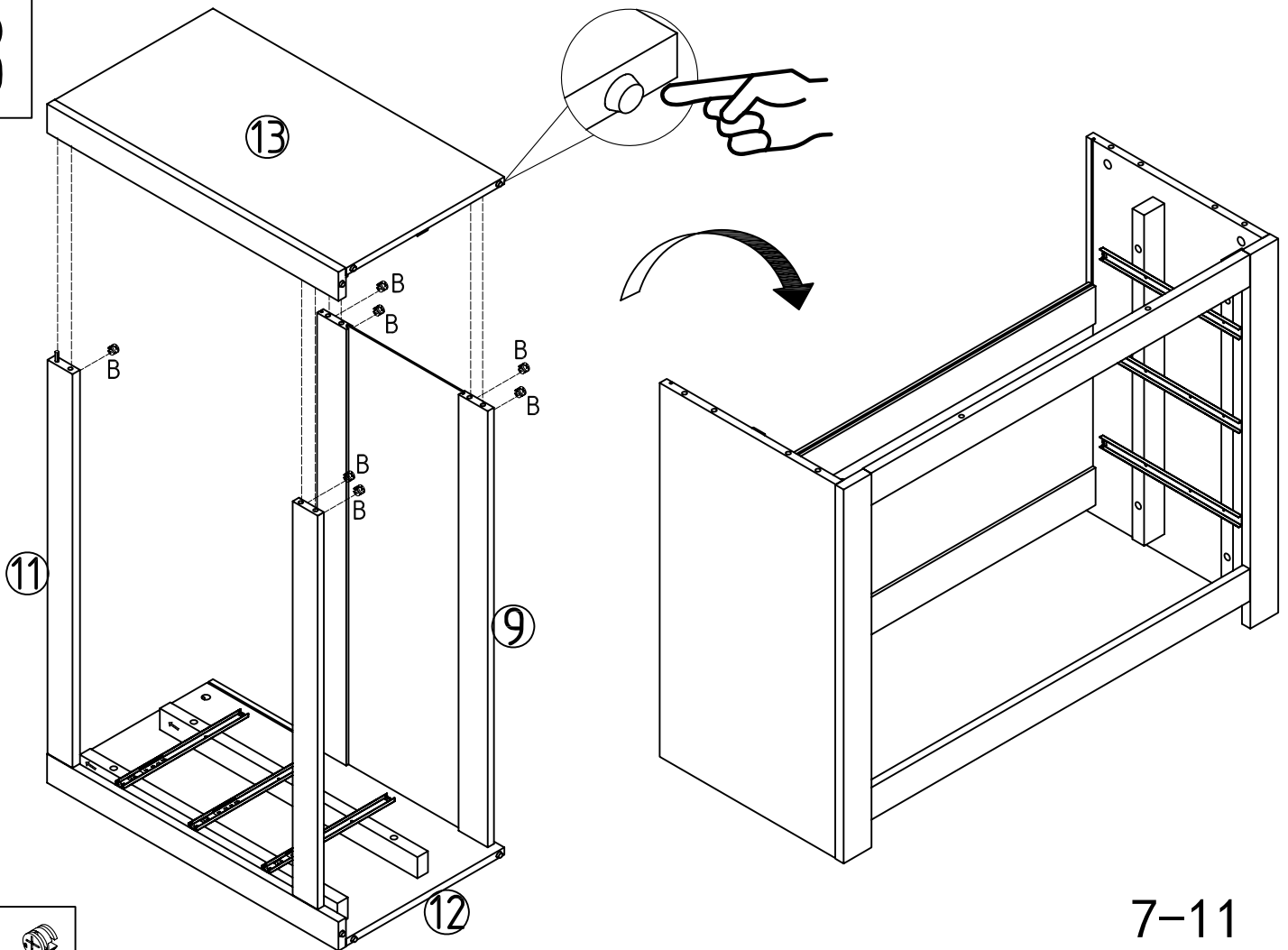
E x2  B x7 

6-11

7



8

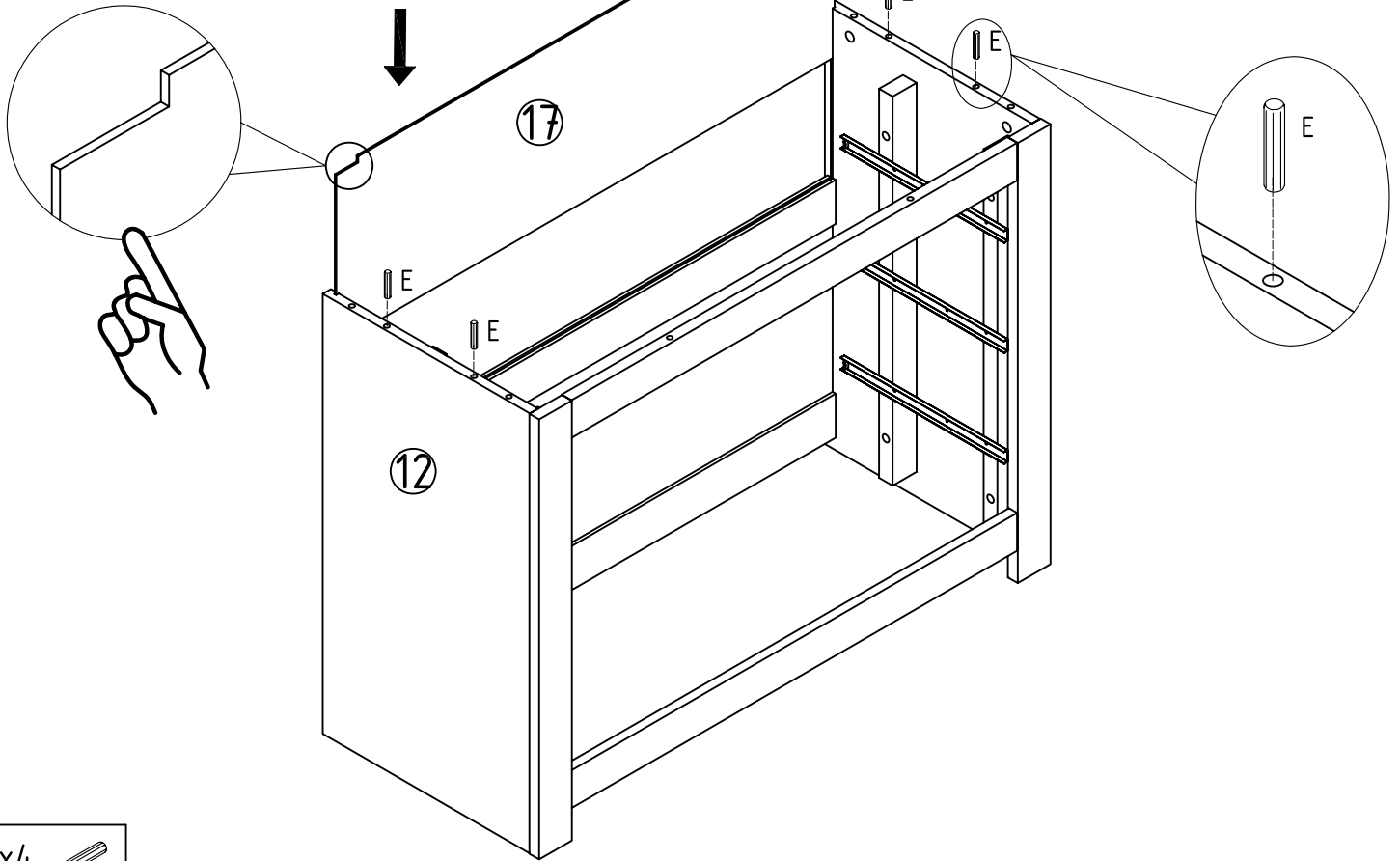


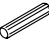
B x 7



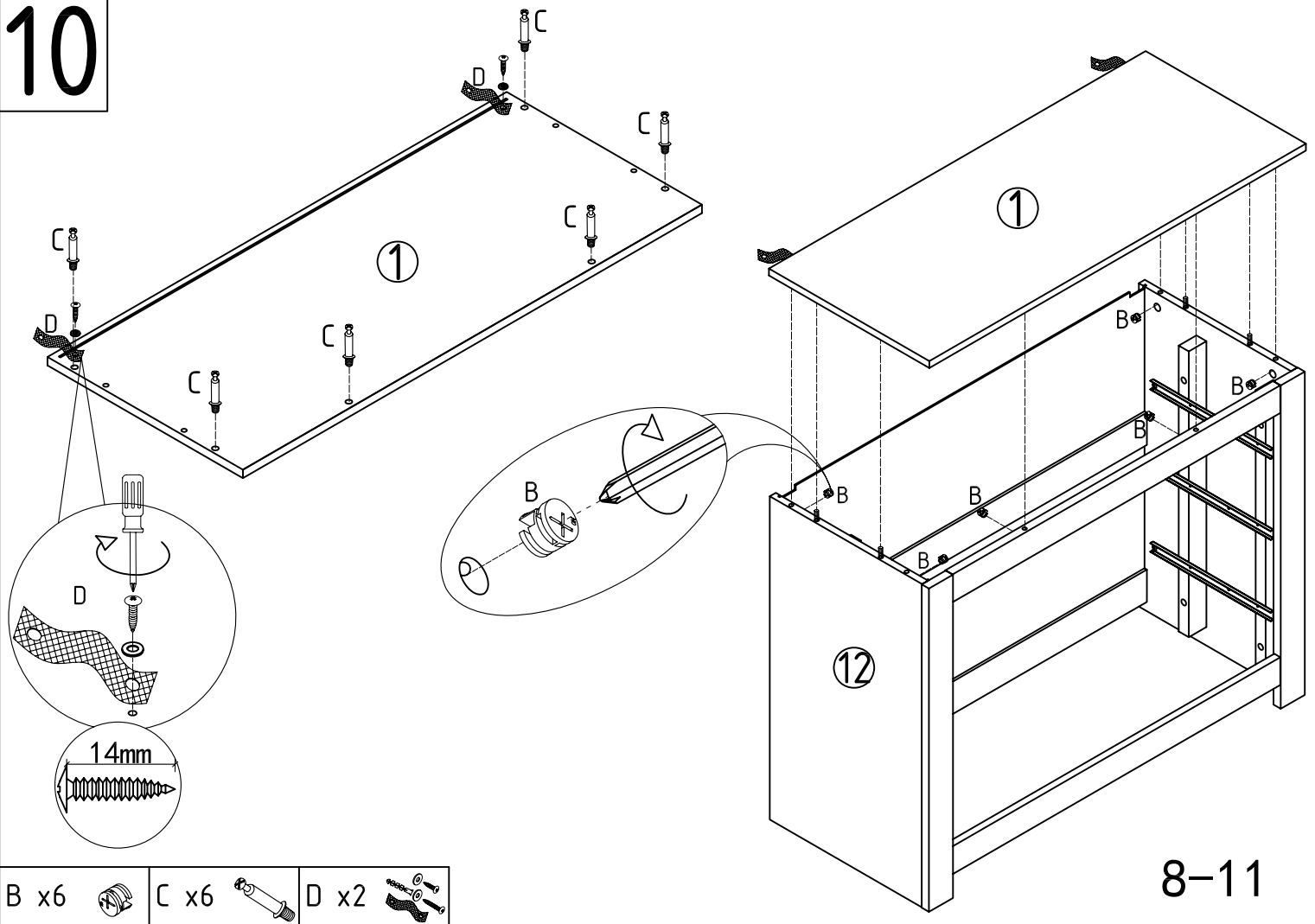
7-11

9



E x4 

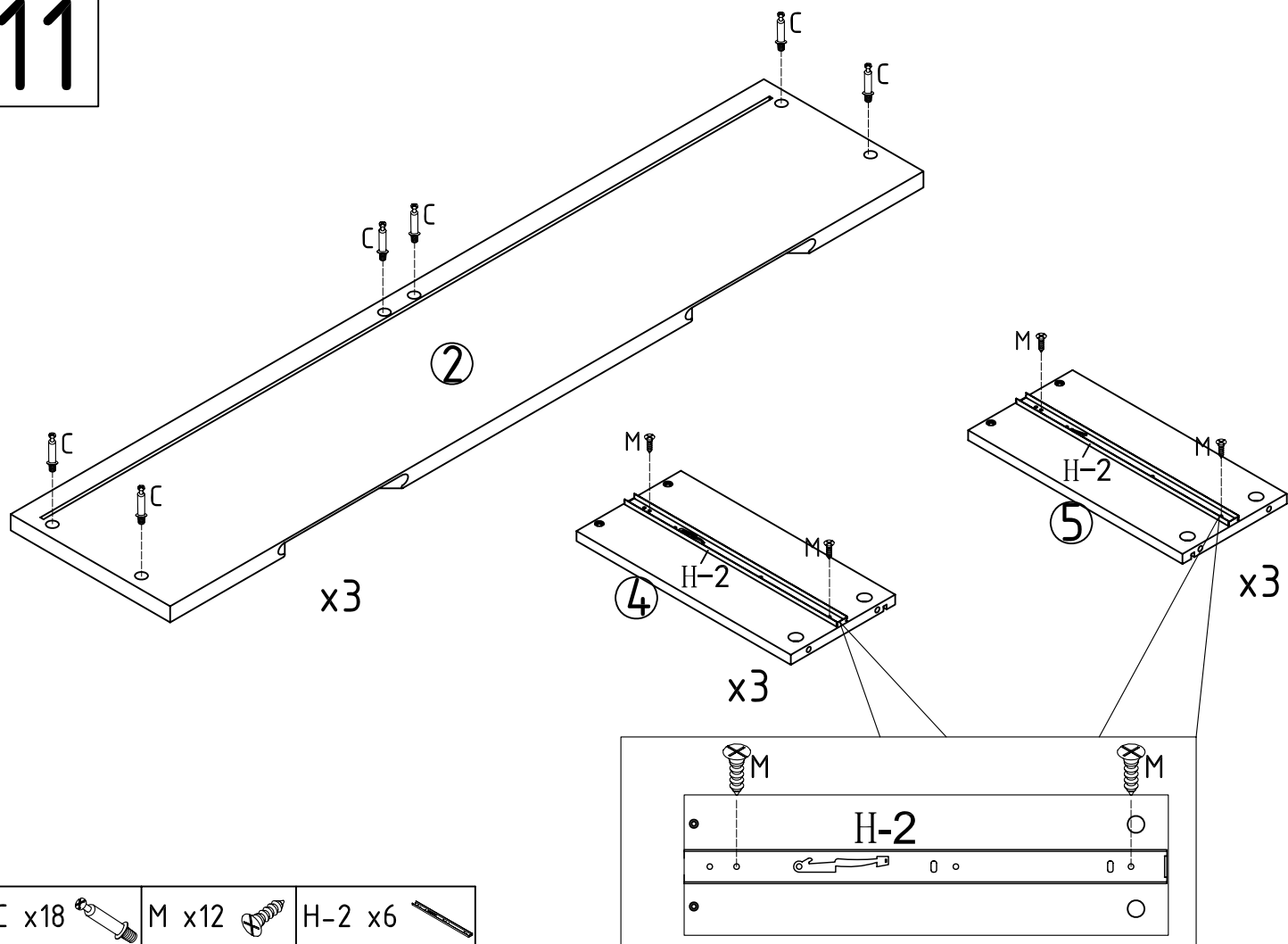
10



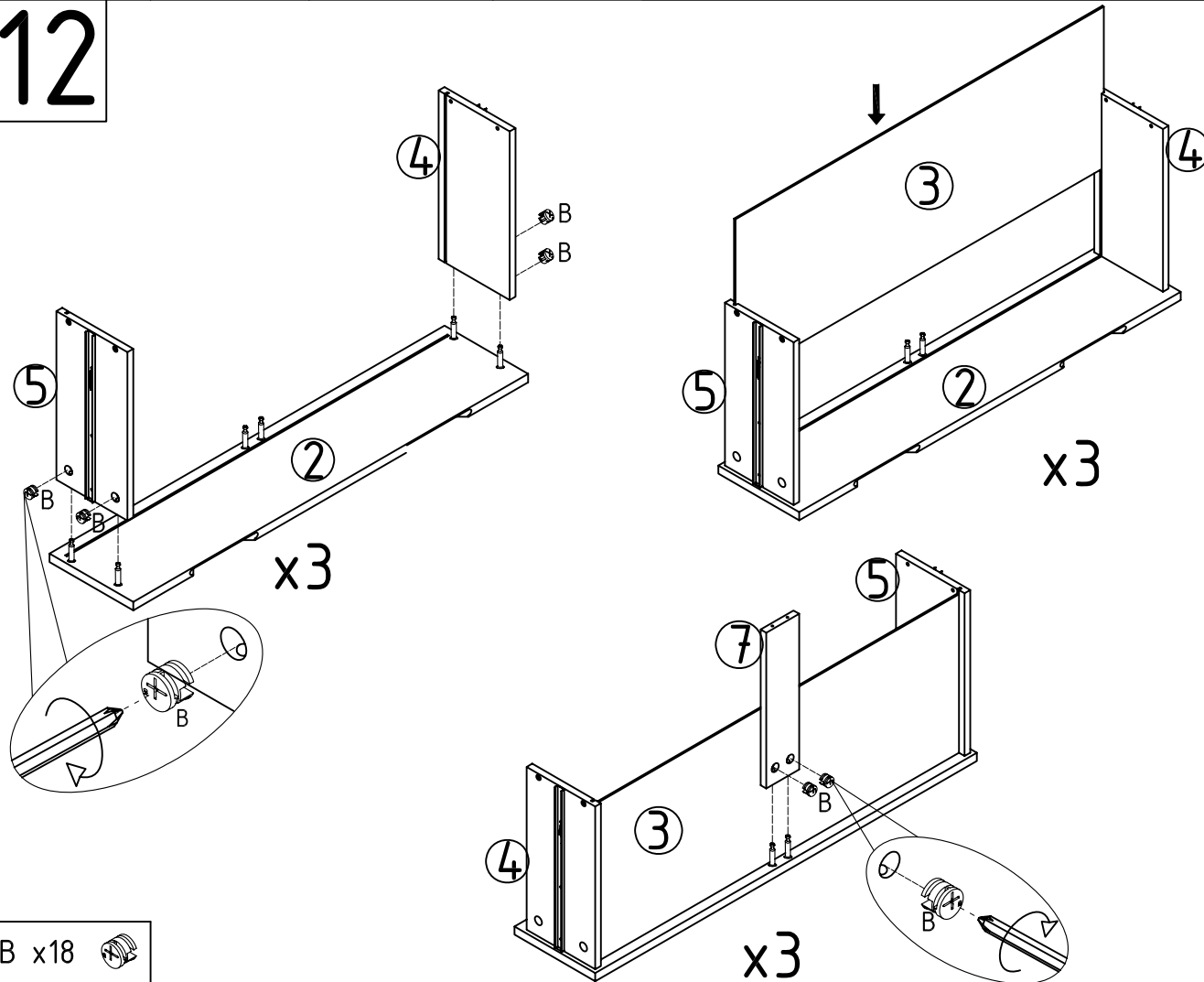
B x6  C x6  D x2 

8-11

11

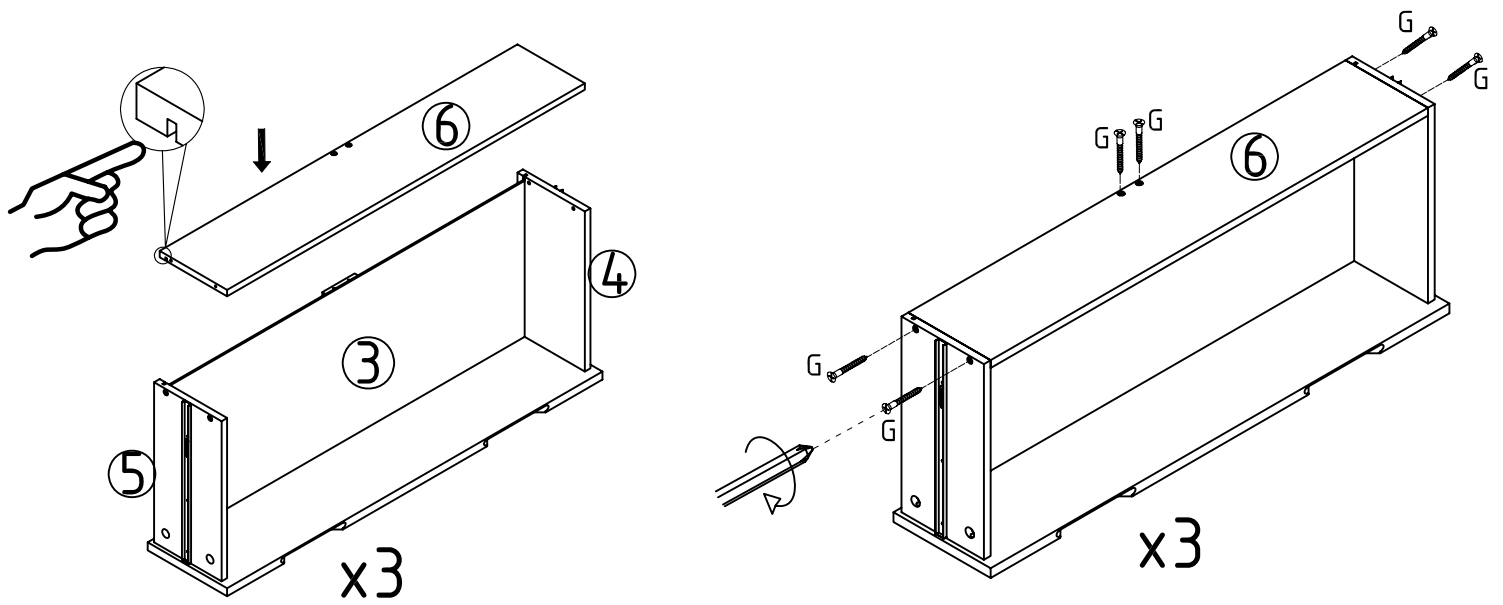



12



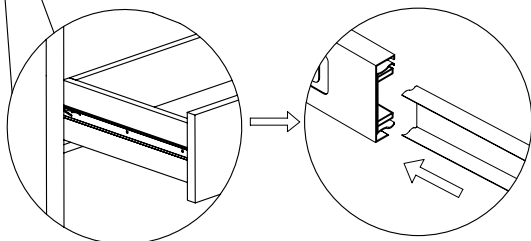
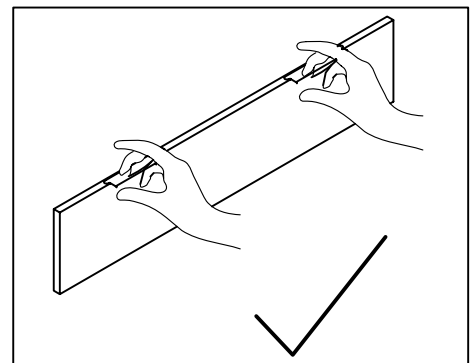
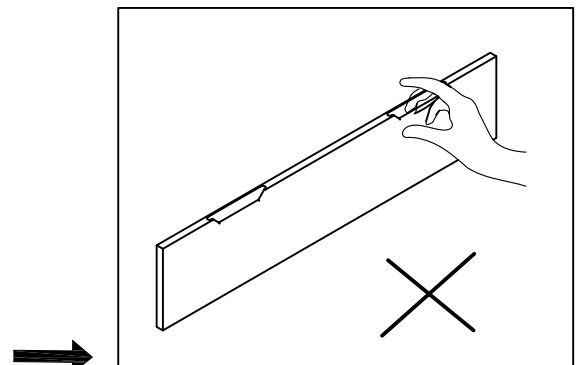
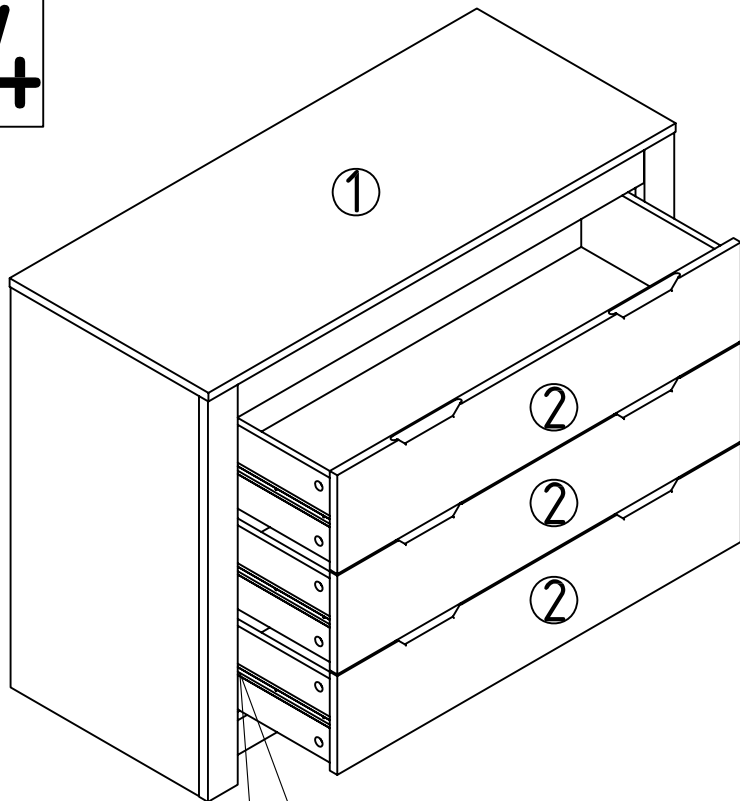
9-11

13



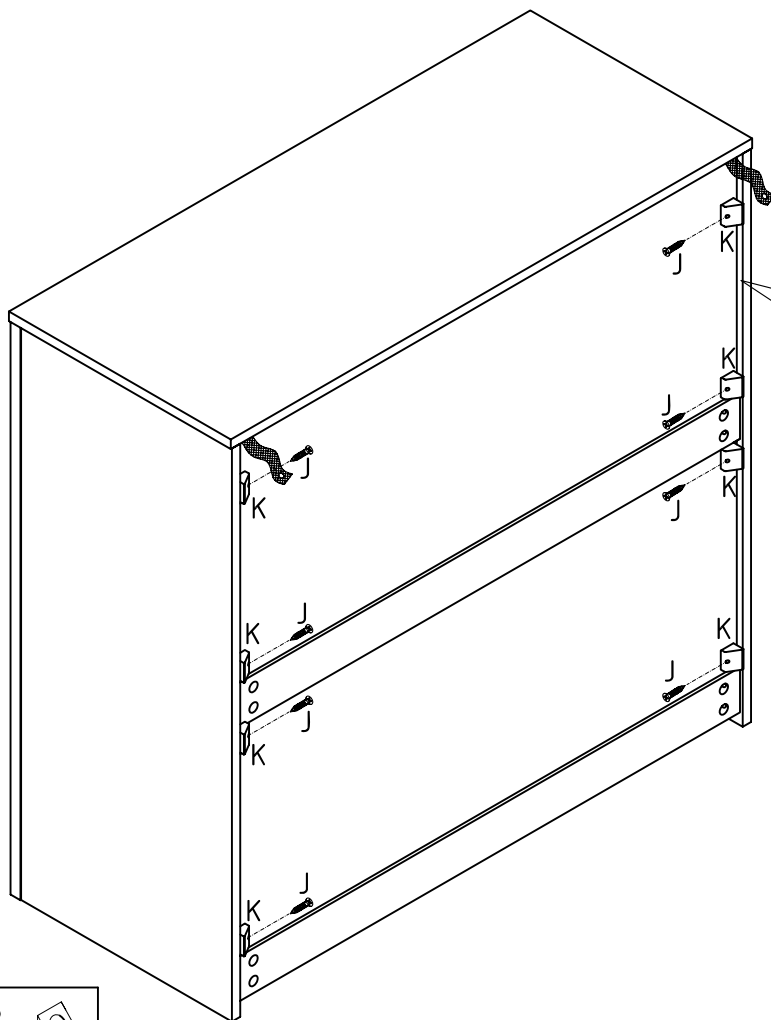
G x18 


14




10-11

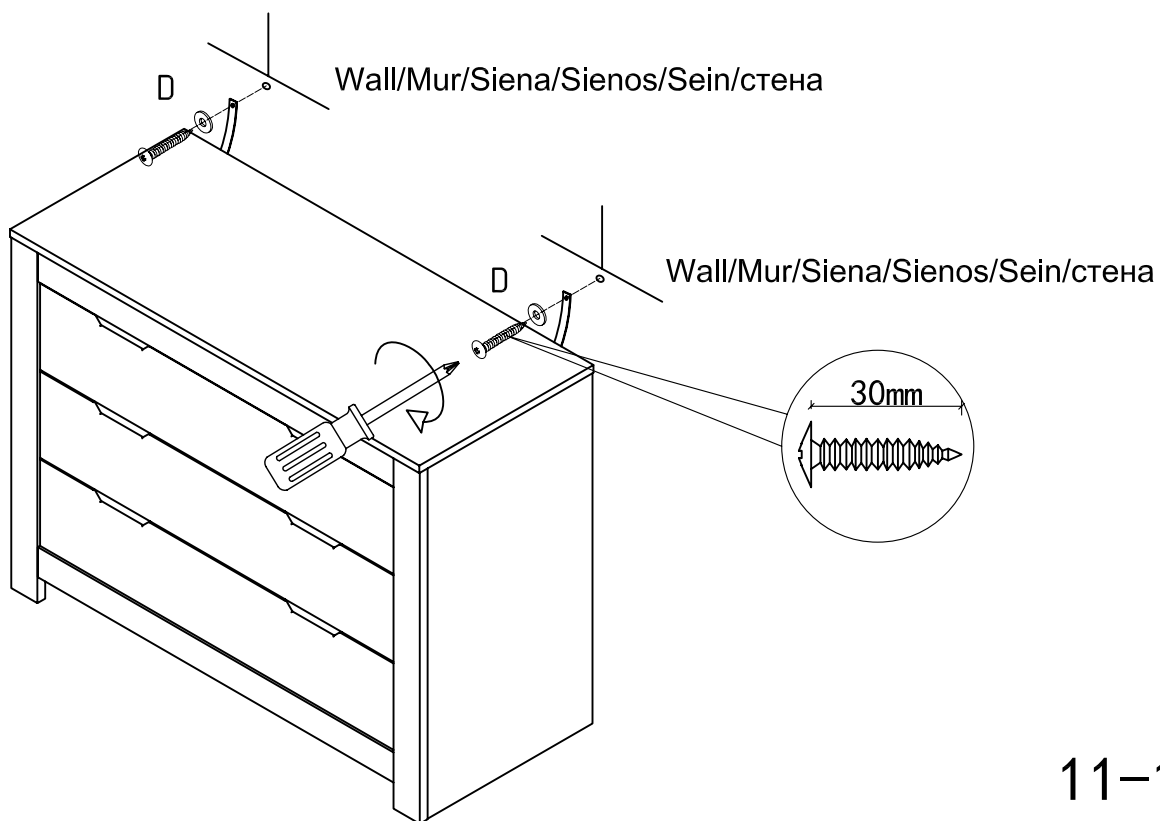
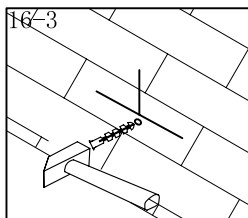
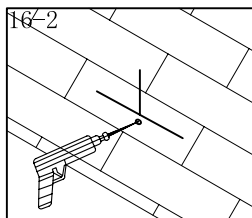
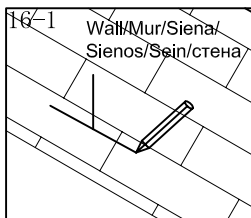
15



J x8 

K x8 

16



D x2 