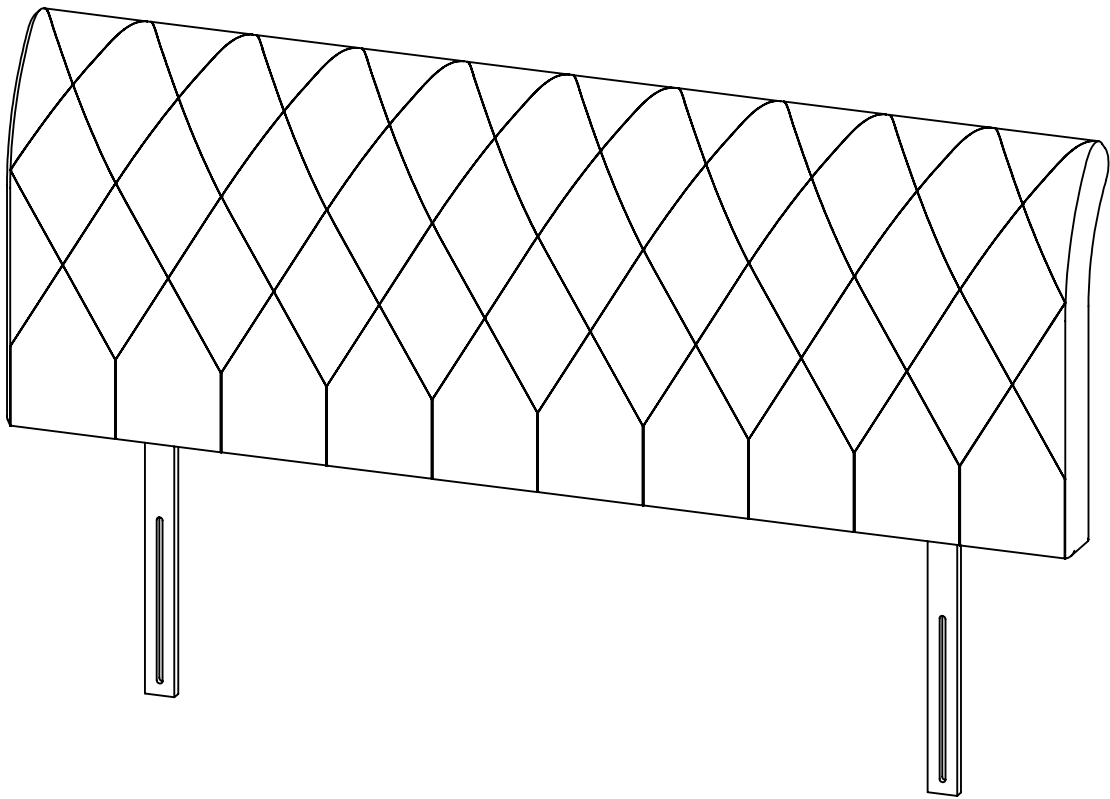
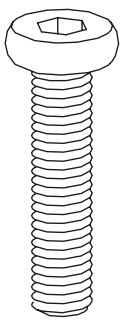
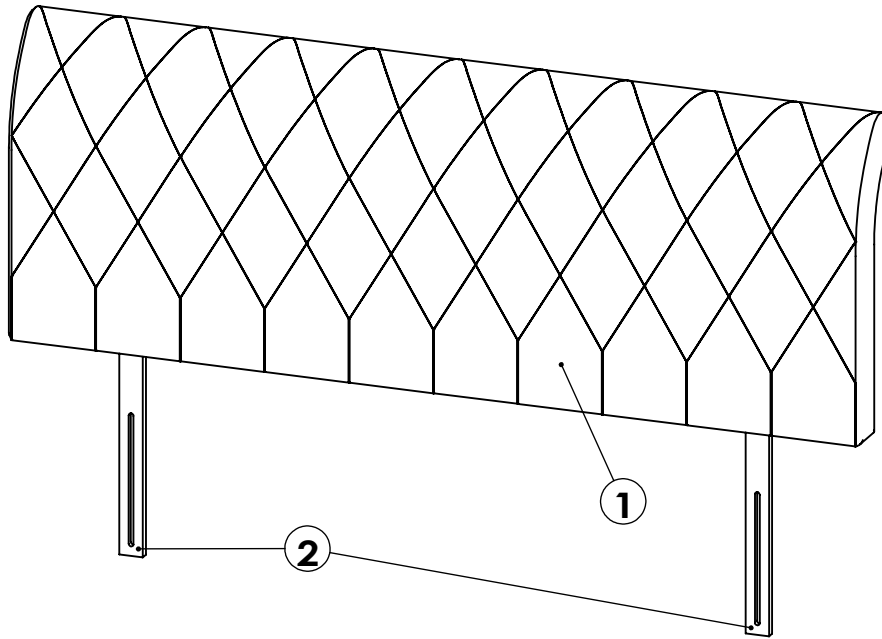
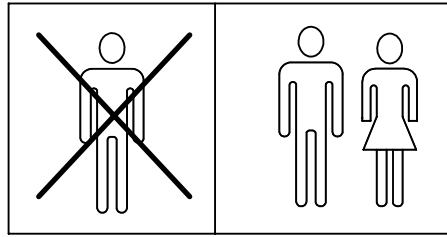
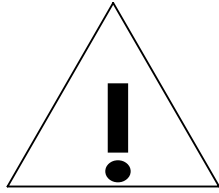


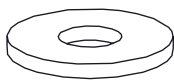
DRAGOR





M8x35

A x12



ϕ 8.4 / 22 x2

B x16

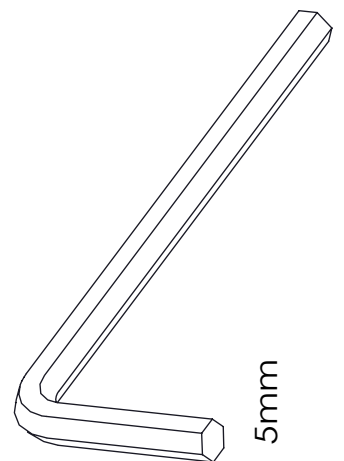


M8

C x4

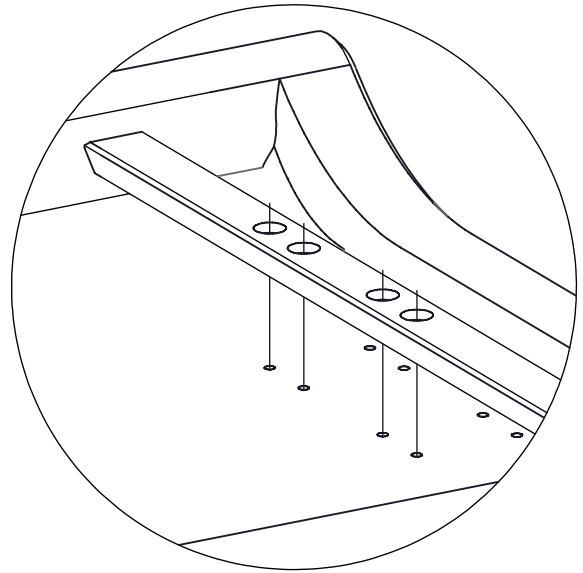
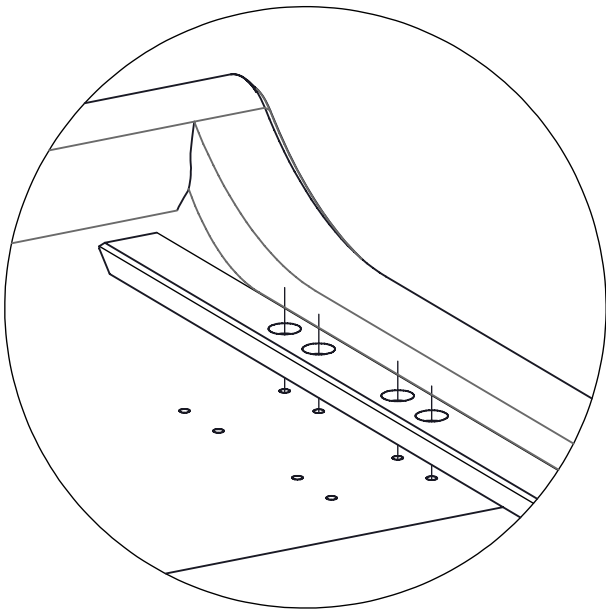
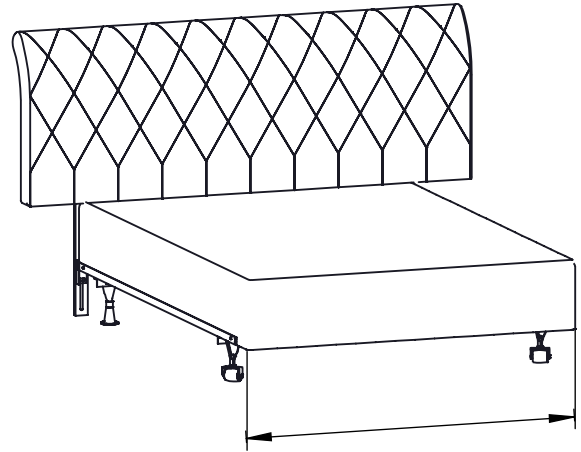
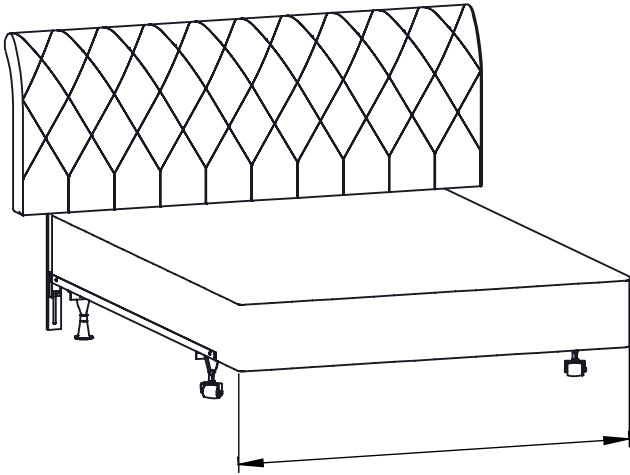


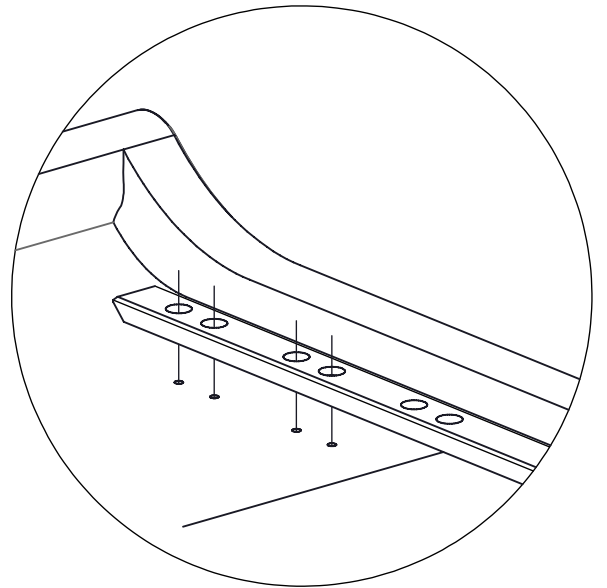
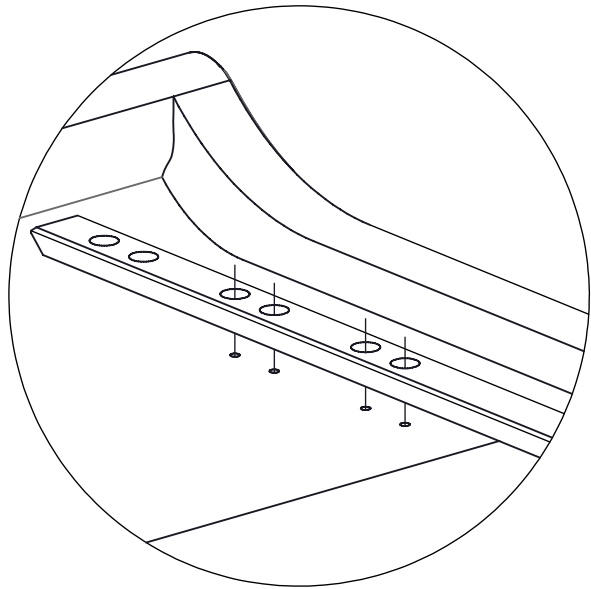
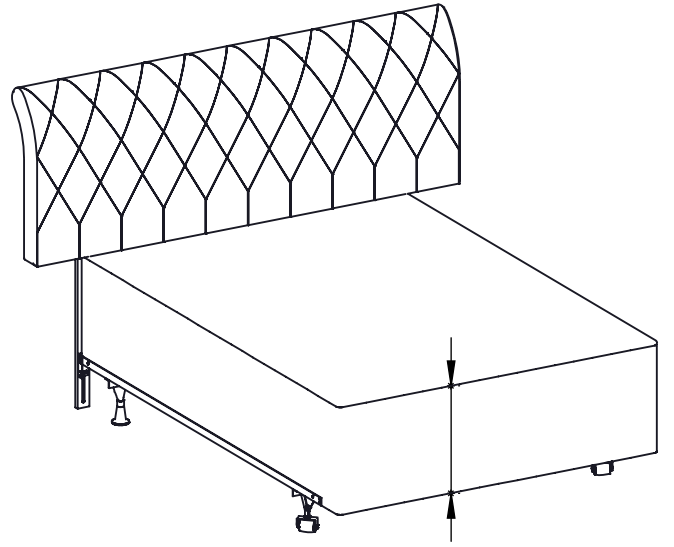
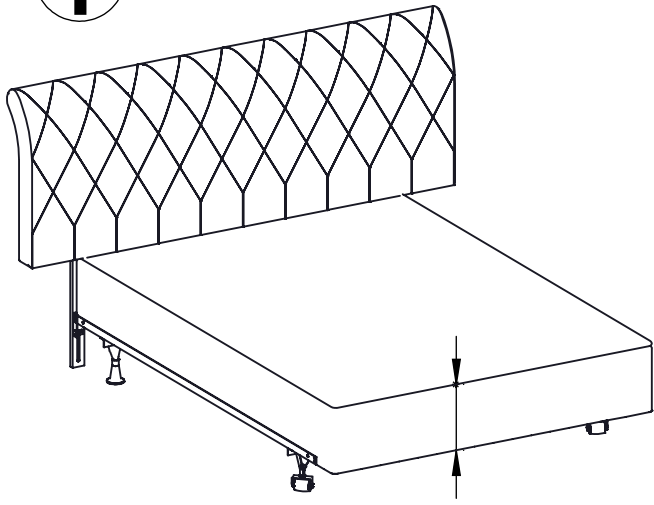
D x4



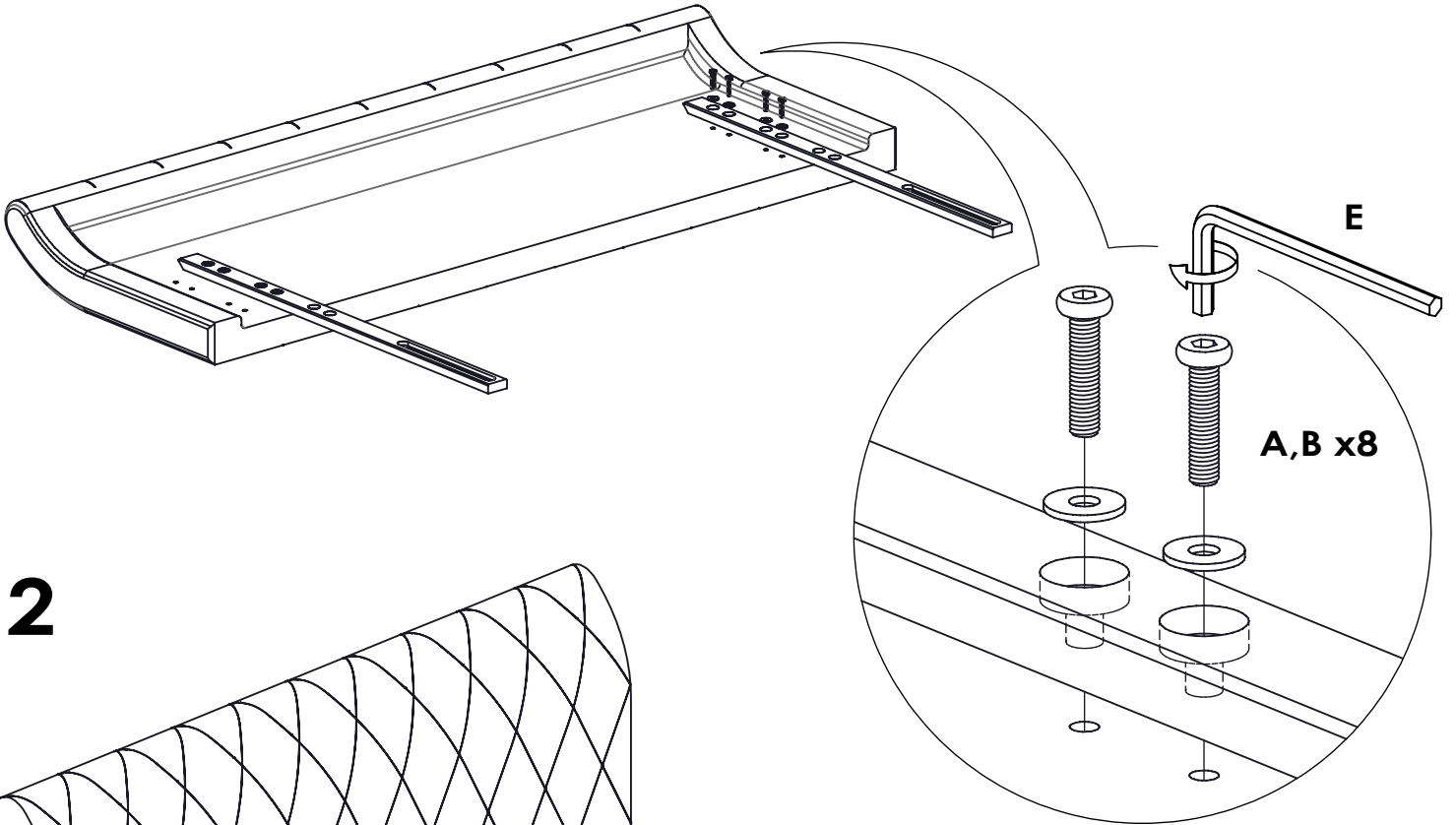
5mm

E x1

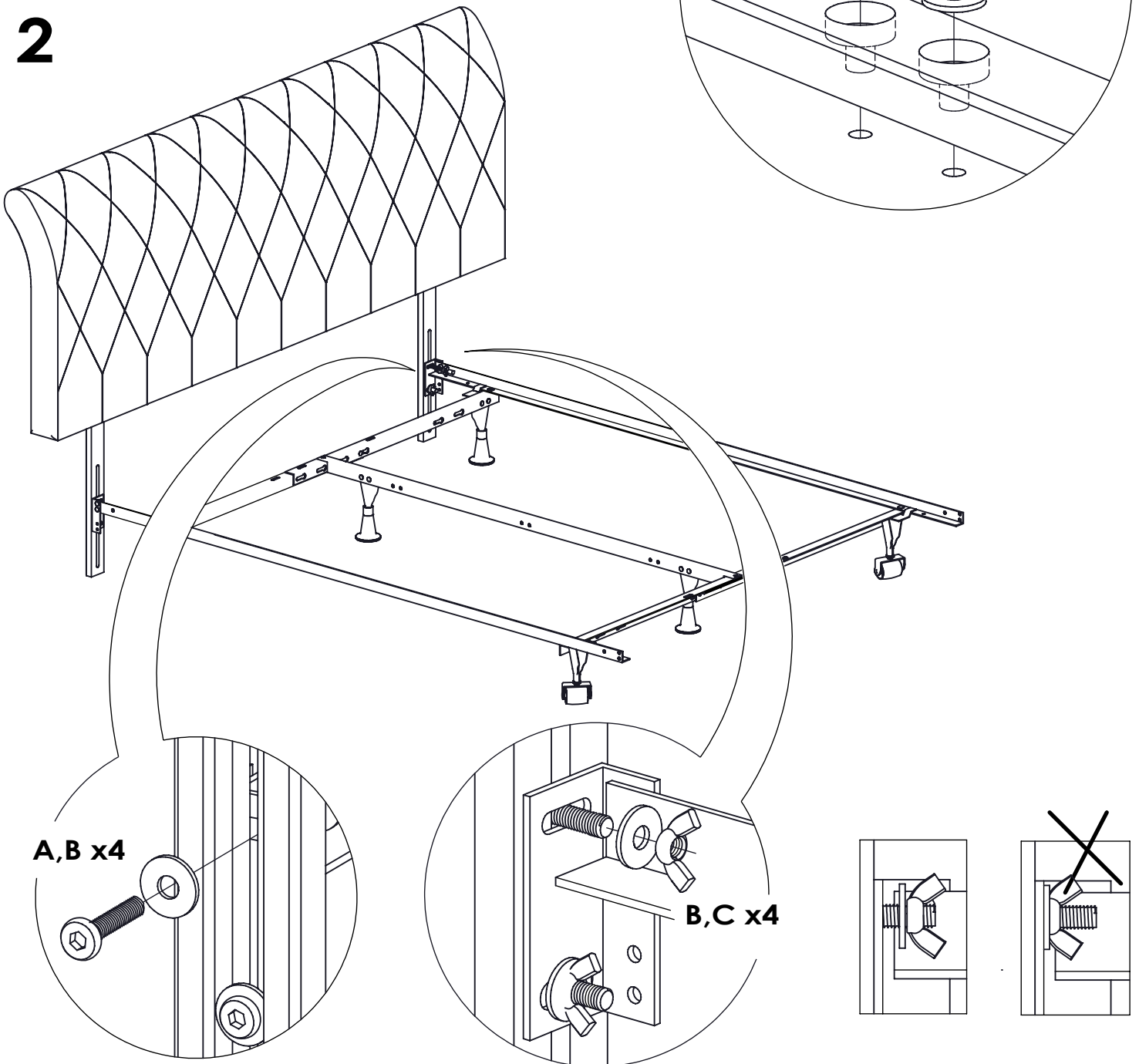


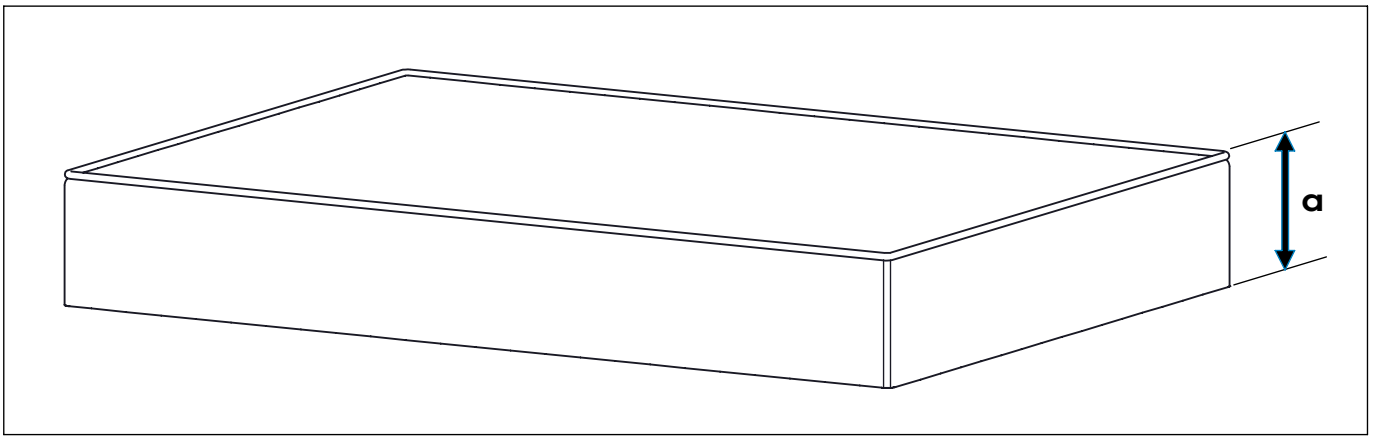


1

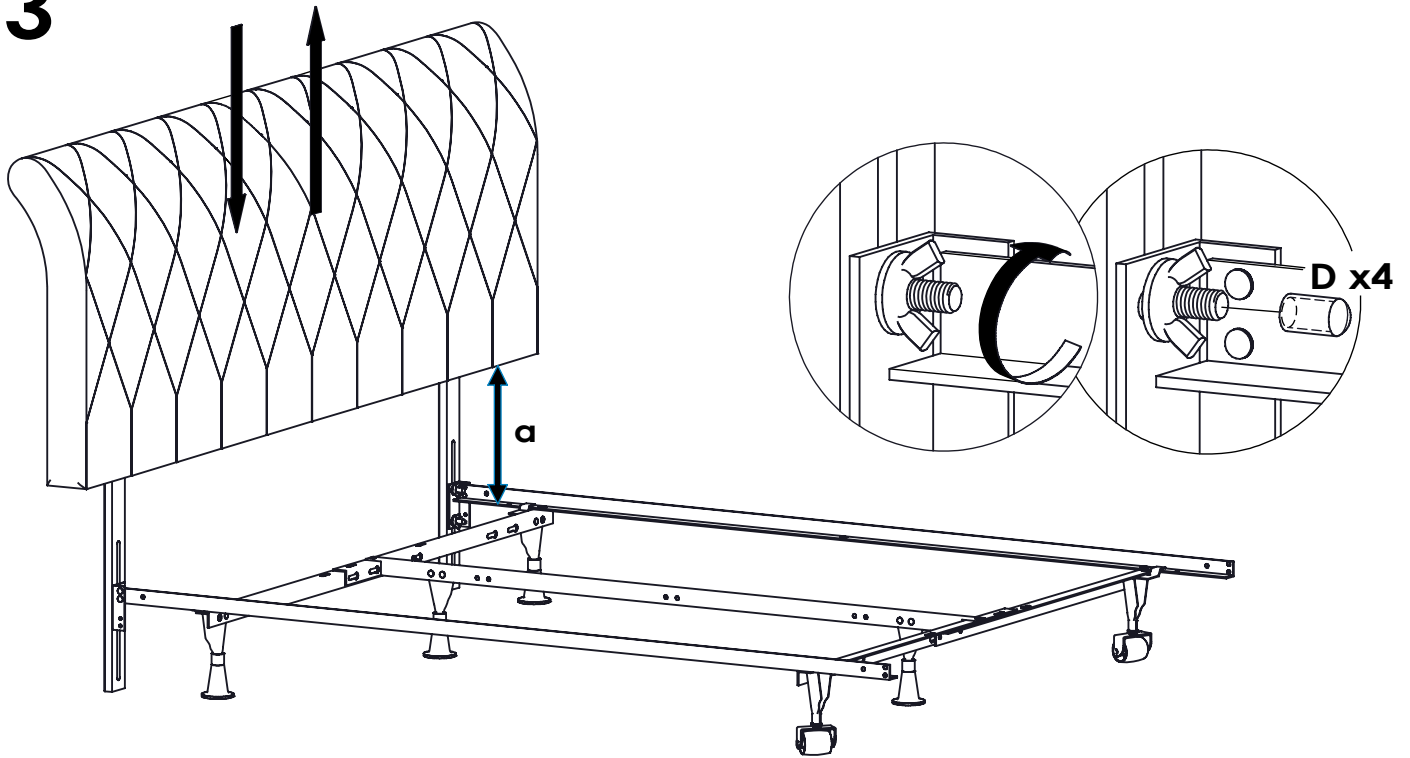


2





3



4

