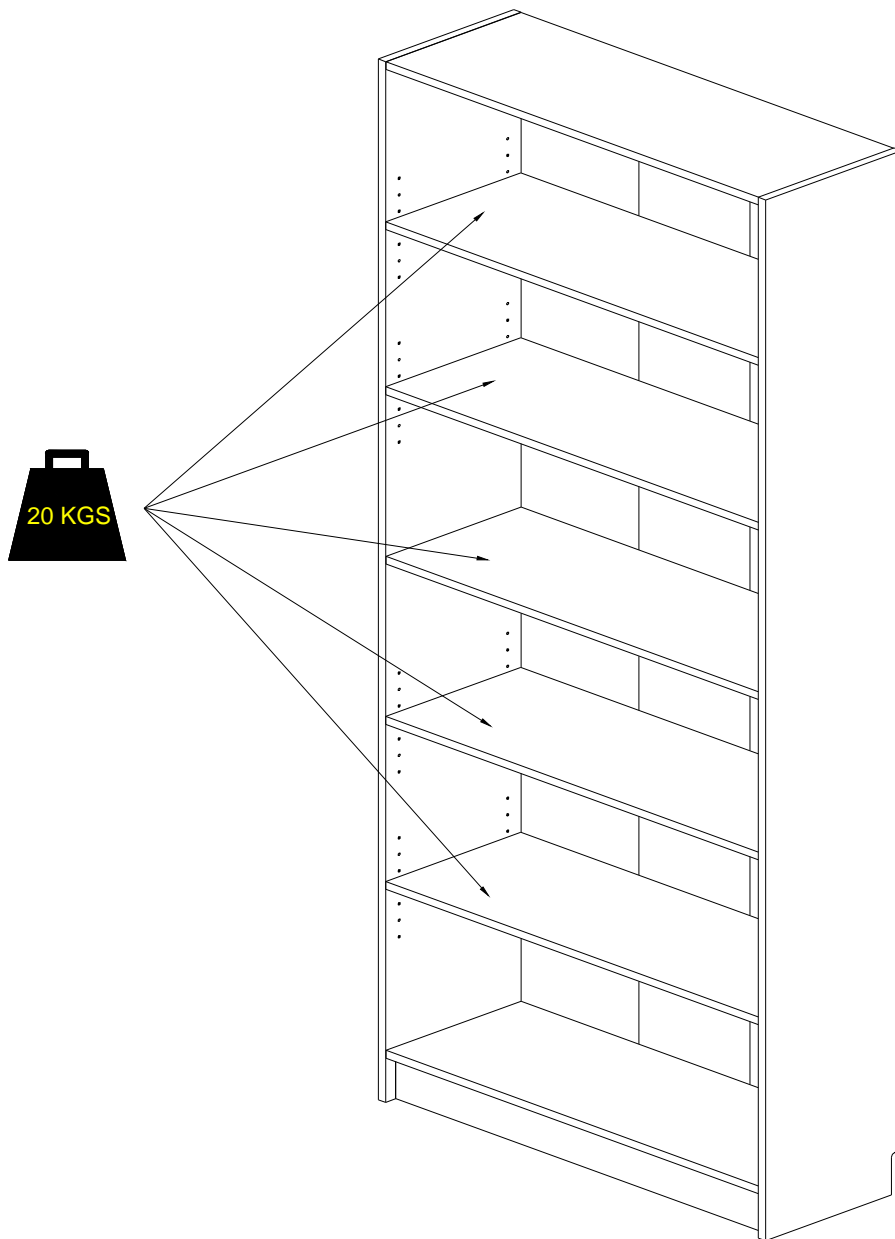
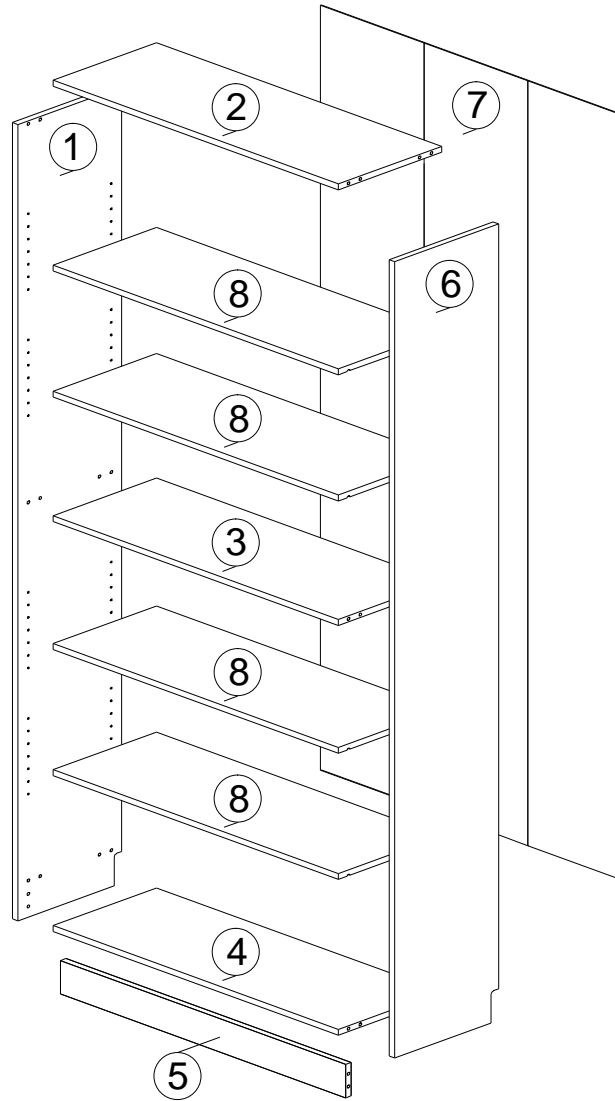







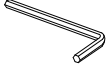


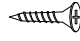
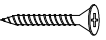


DANNY TALL HAUTE DANNY



DANNY TALL

HAUTE DANNY

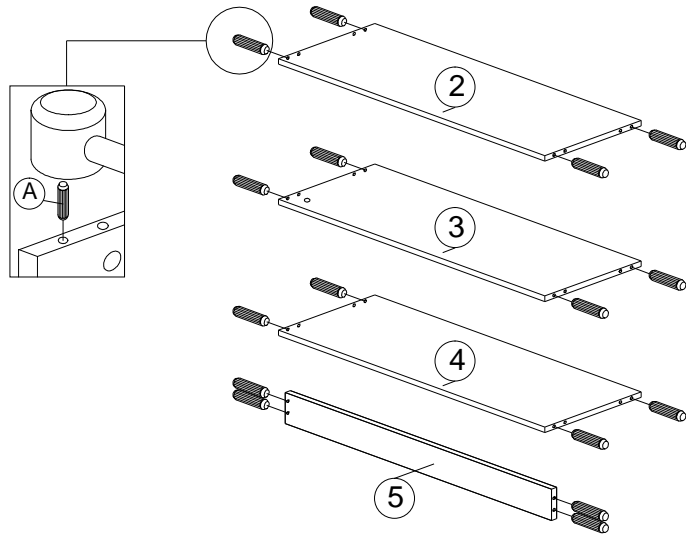


A	 M8X25MM	16
B		12
C		12
D		8
E		16
F		1
G	 6/8	32
H		4
I	 M3.5X16MM	2
J	 M4X38MM	2
K		1
L		2

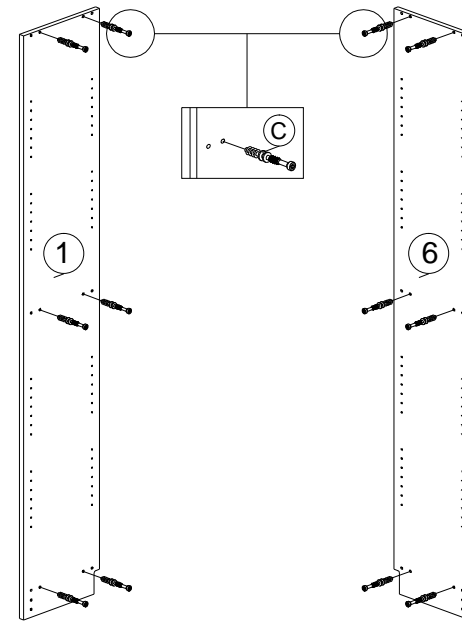
DANNY TALL

HAUTE DANNY

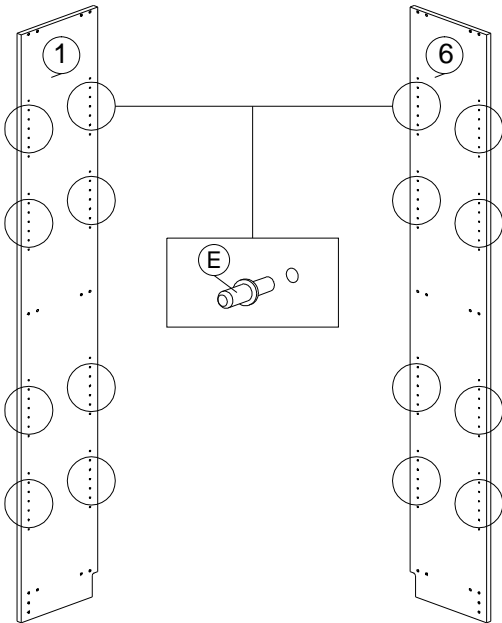
1



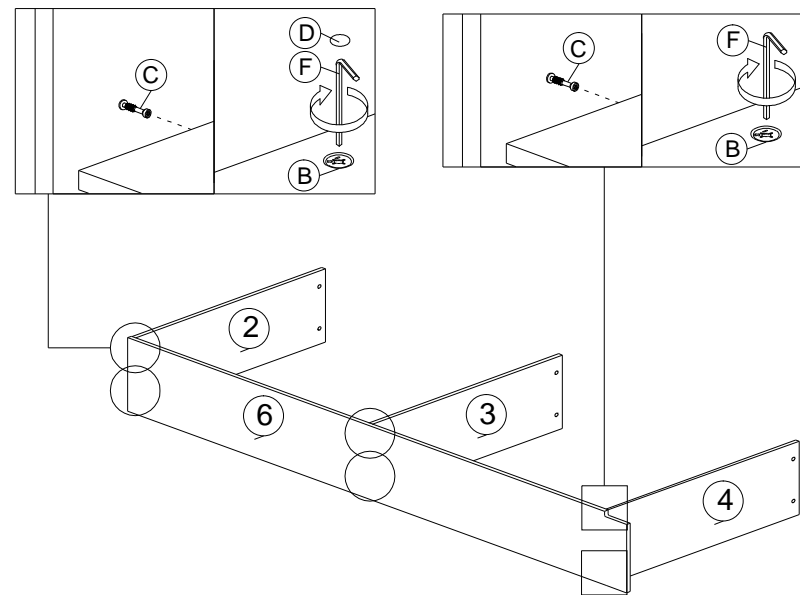
2



3



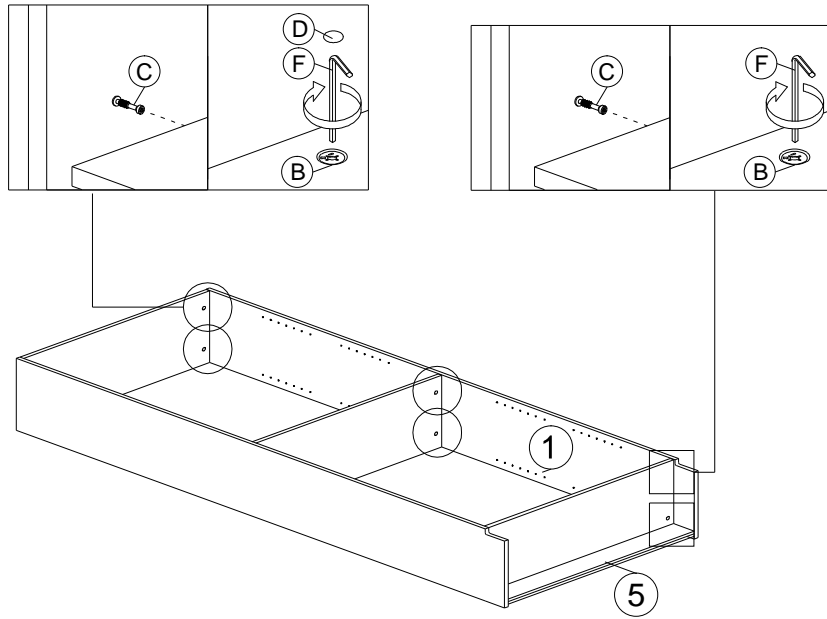
4



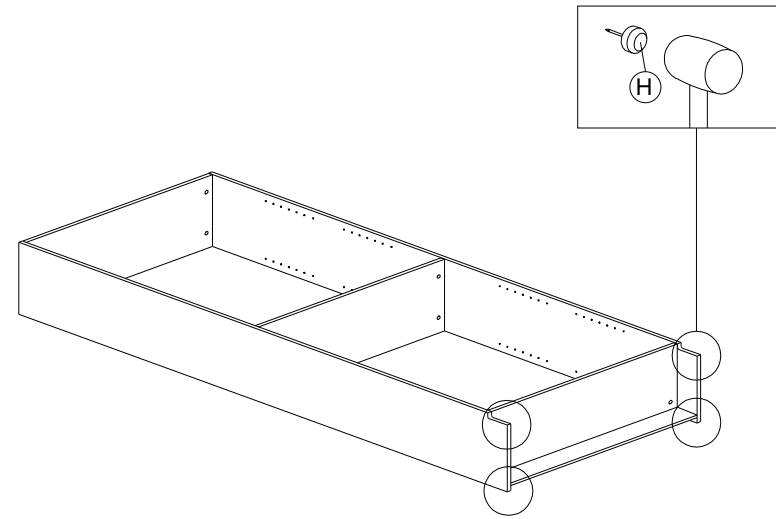
DANNY TALL

HAUTE DANNY

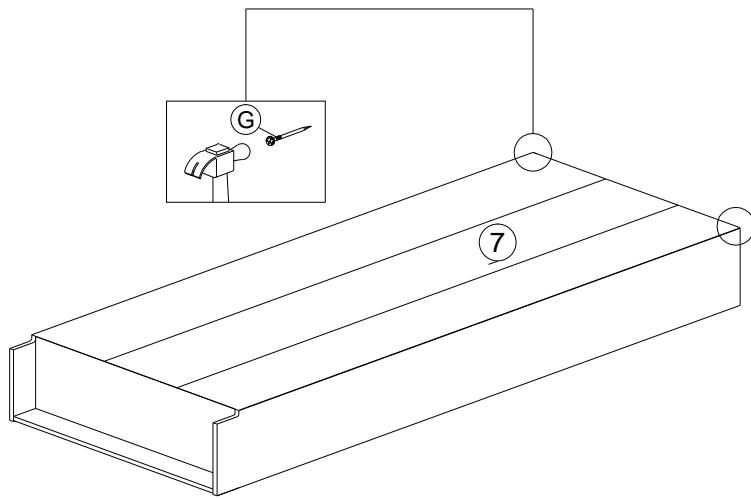
5



6



7



8

