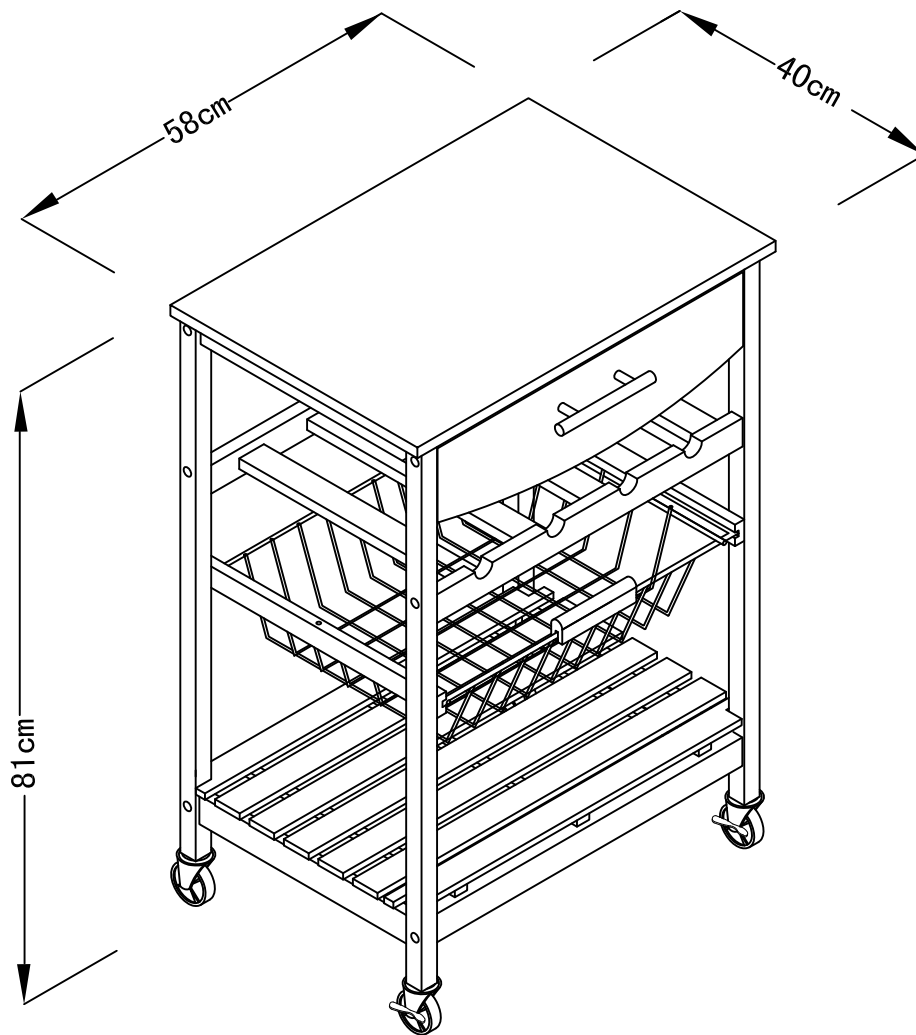
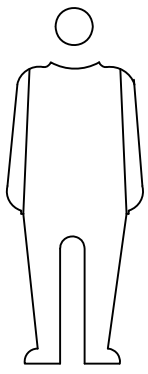


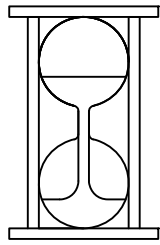
# ANHOLT

705-16-1011

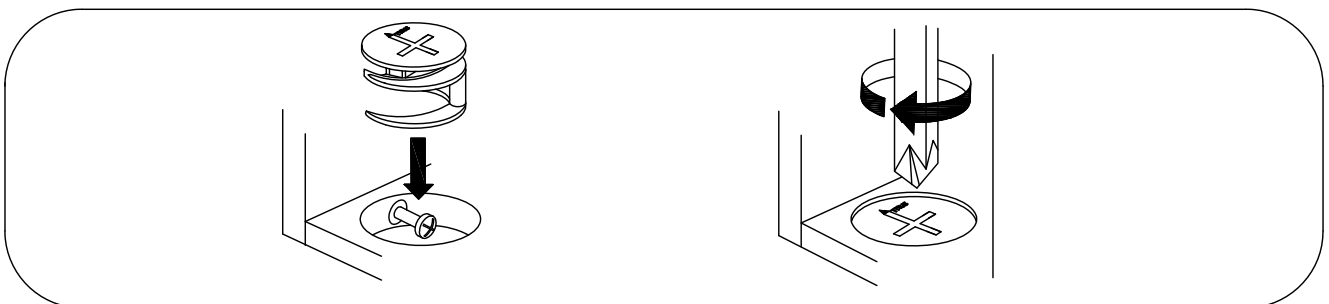
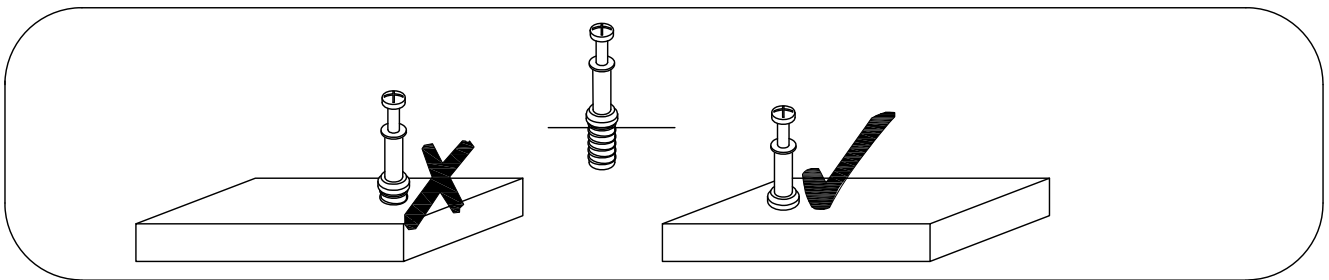
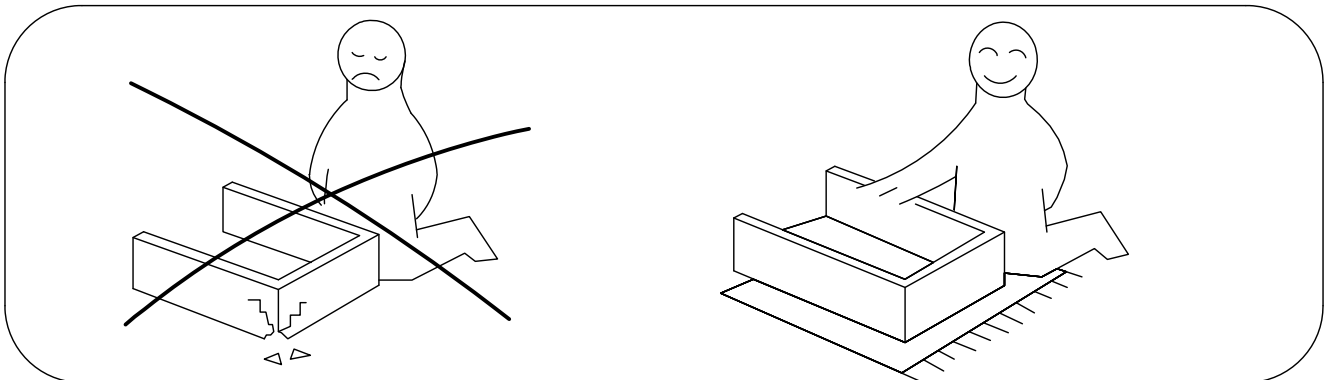
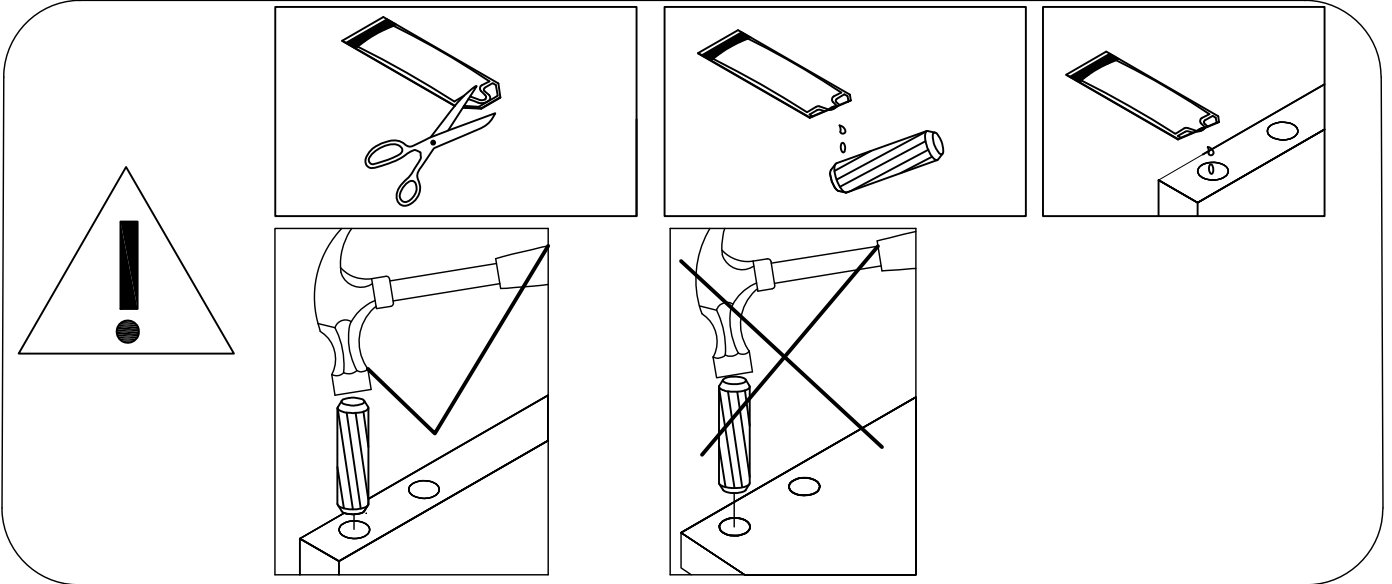
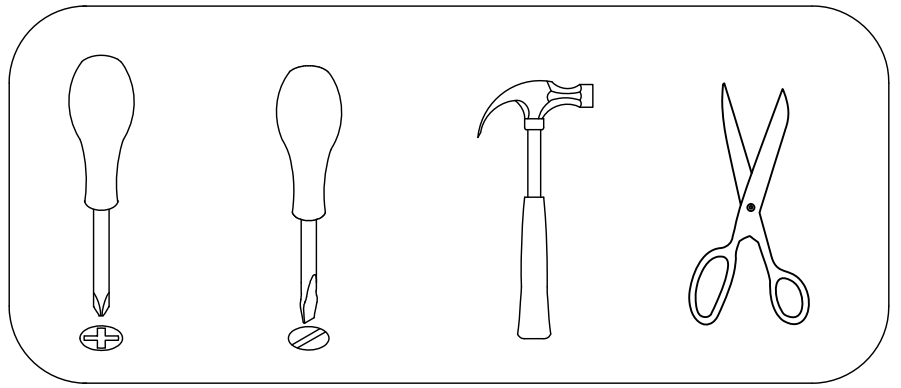


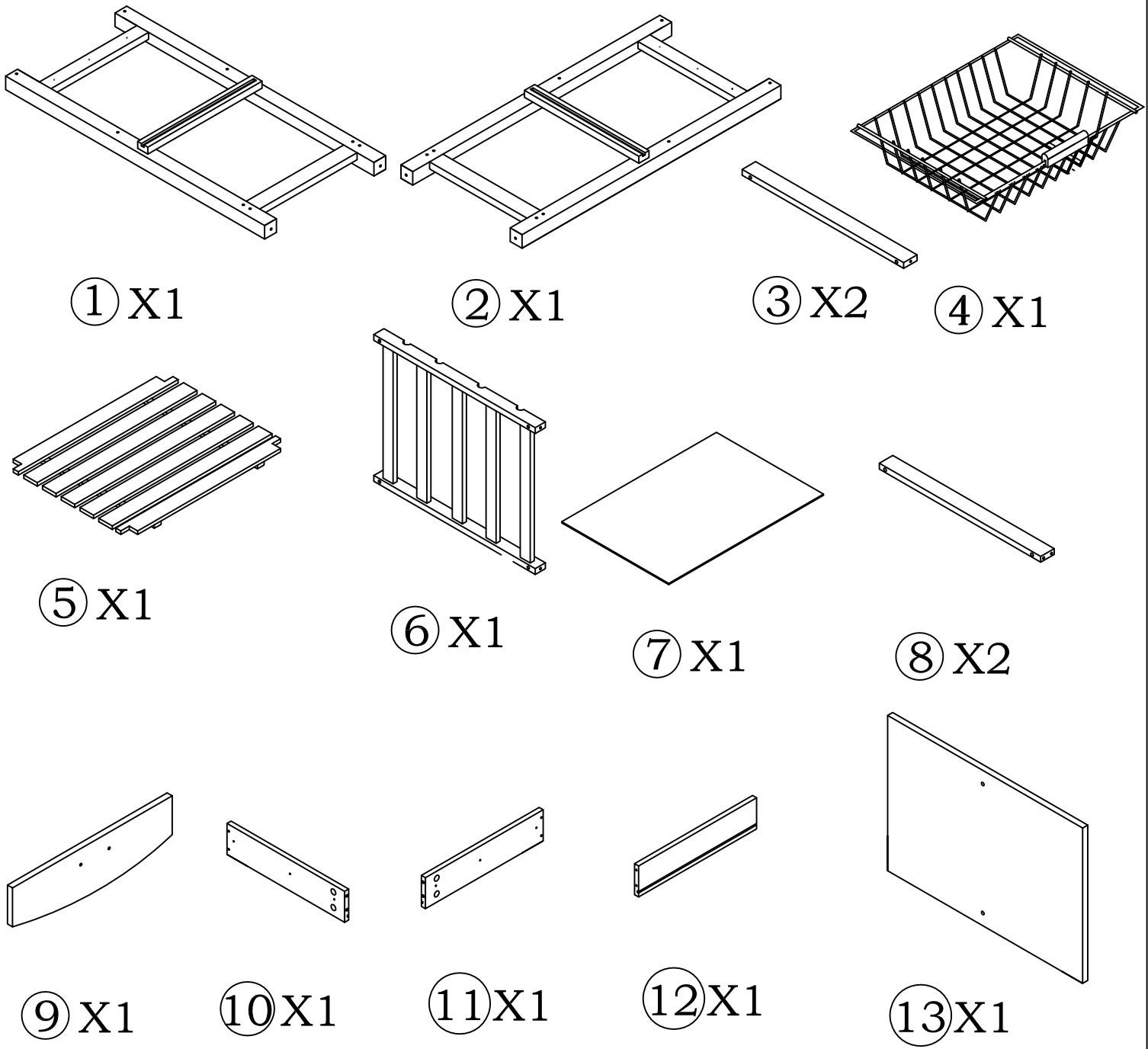









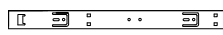
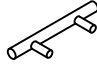




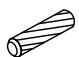
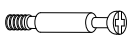



X2



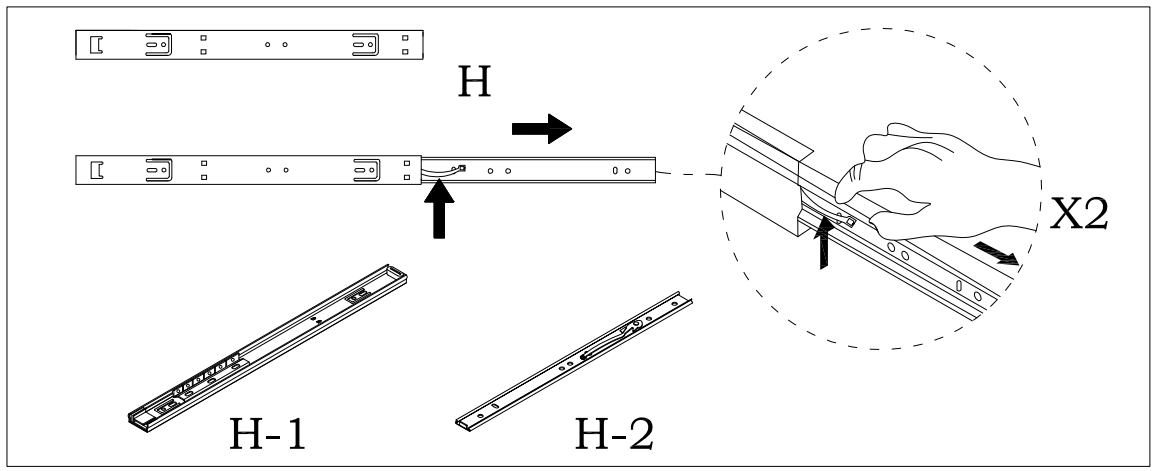
60 min



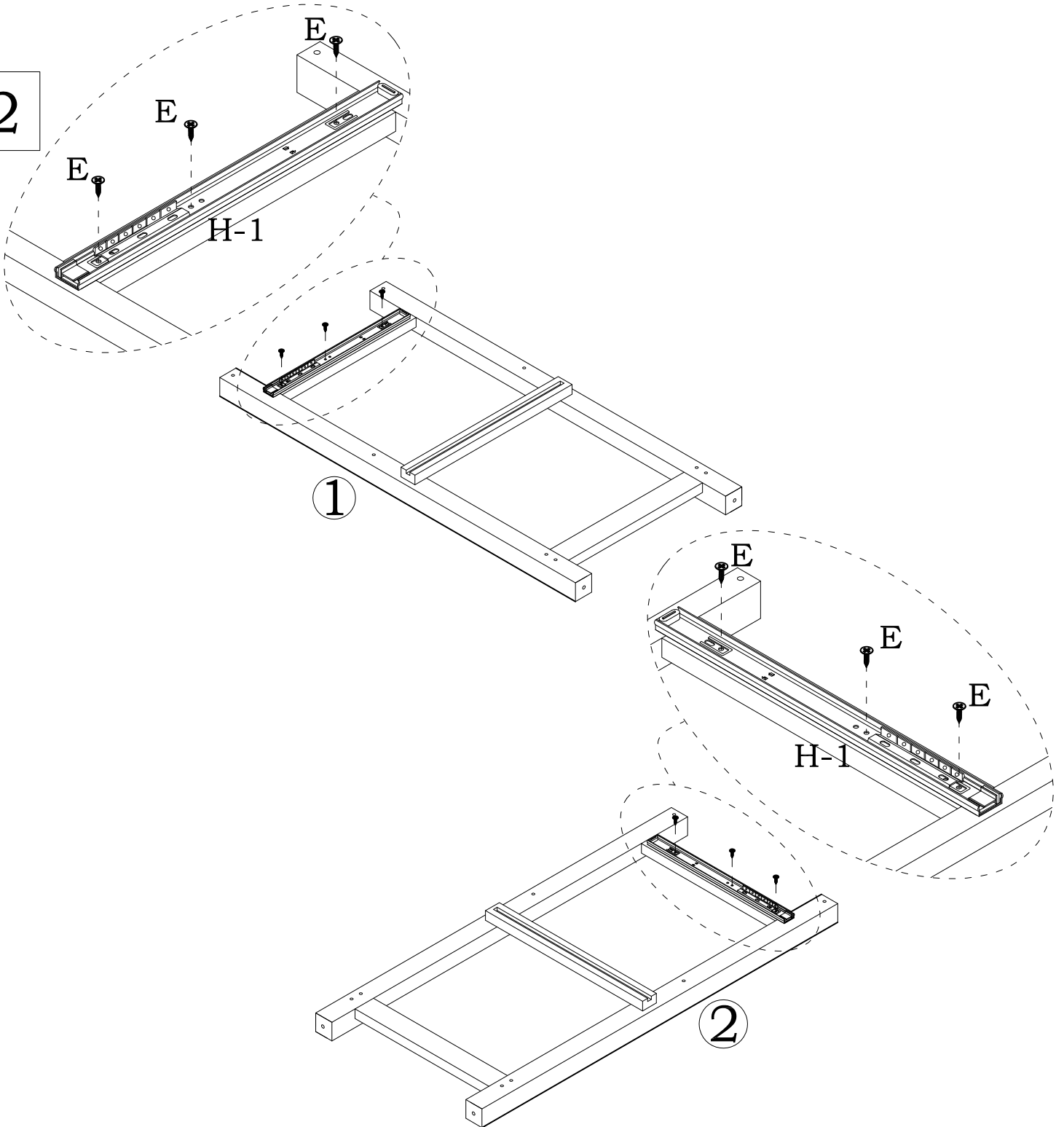


 M6x50mm Ax12	 M4x18mm Bx2	 M4x30mm Cx4	 M6x12.5mm Dx12	 M3.5x12mm Ex12	 M6x30mm Fx4
 Gx1	 Hx2	 Ix1	 Jx2	 Kx12	 Lx2
 Mx2	 M8x20mm Nx2	 M6x35mm Ox4	 M15x10mm Px4	 Qx4	 Rx1

1

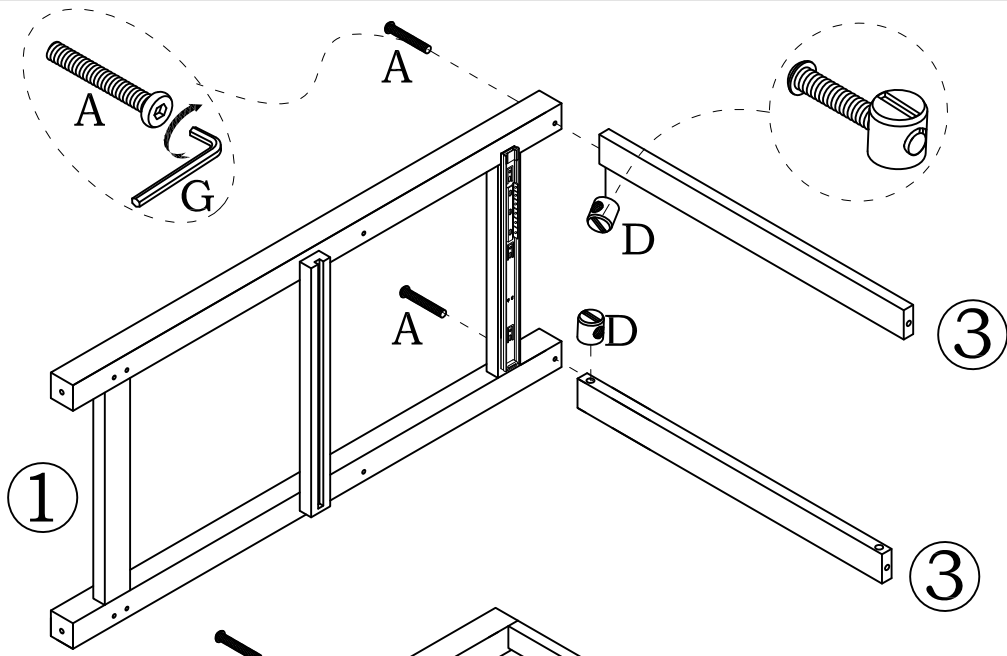


2

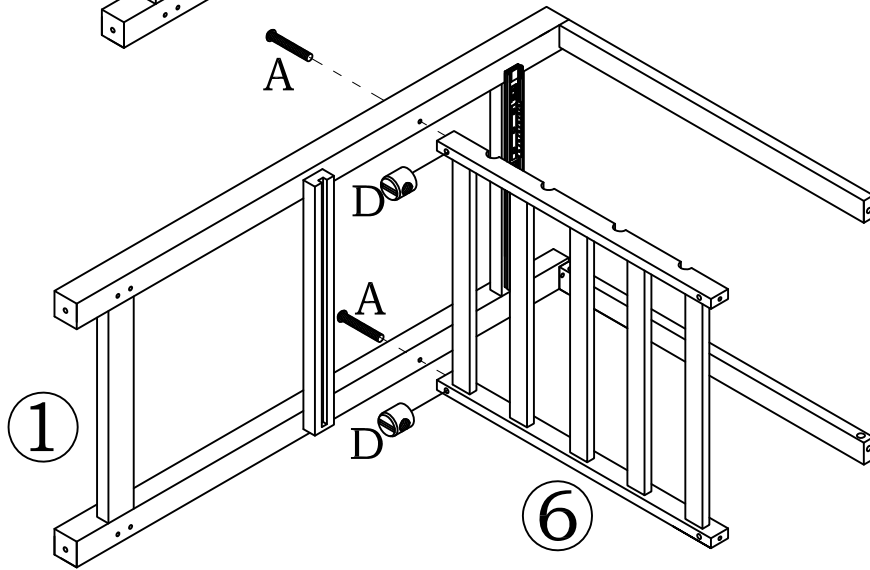


4-9

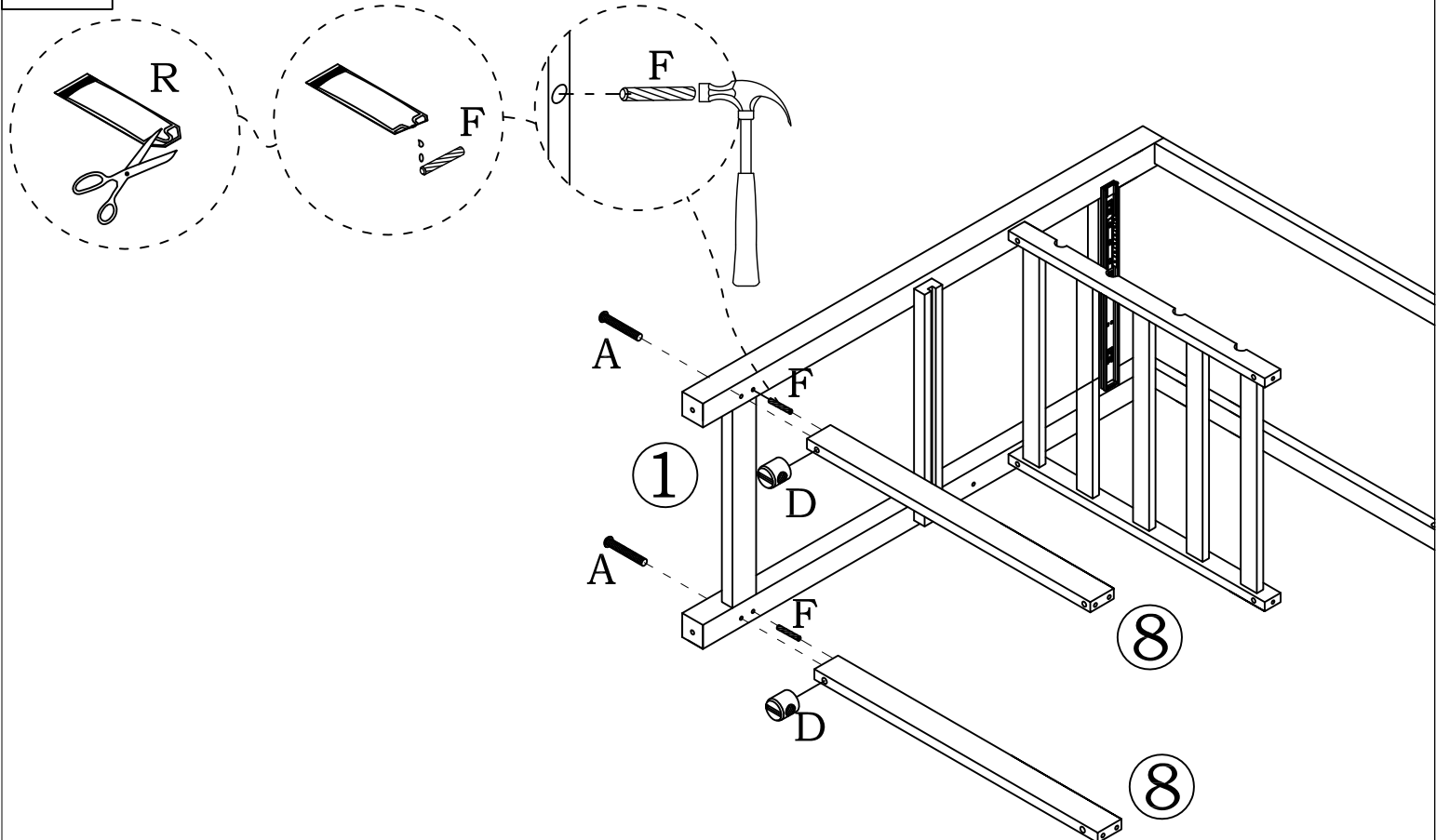
3



4

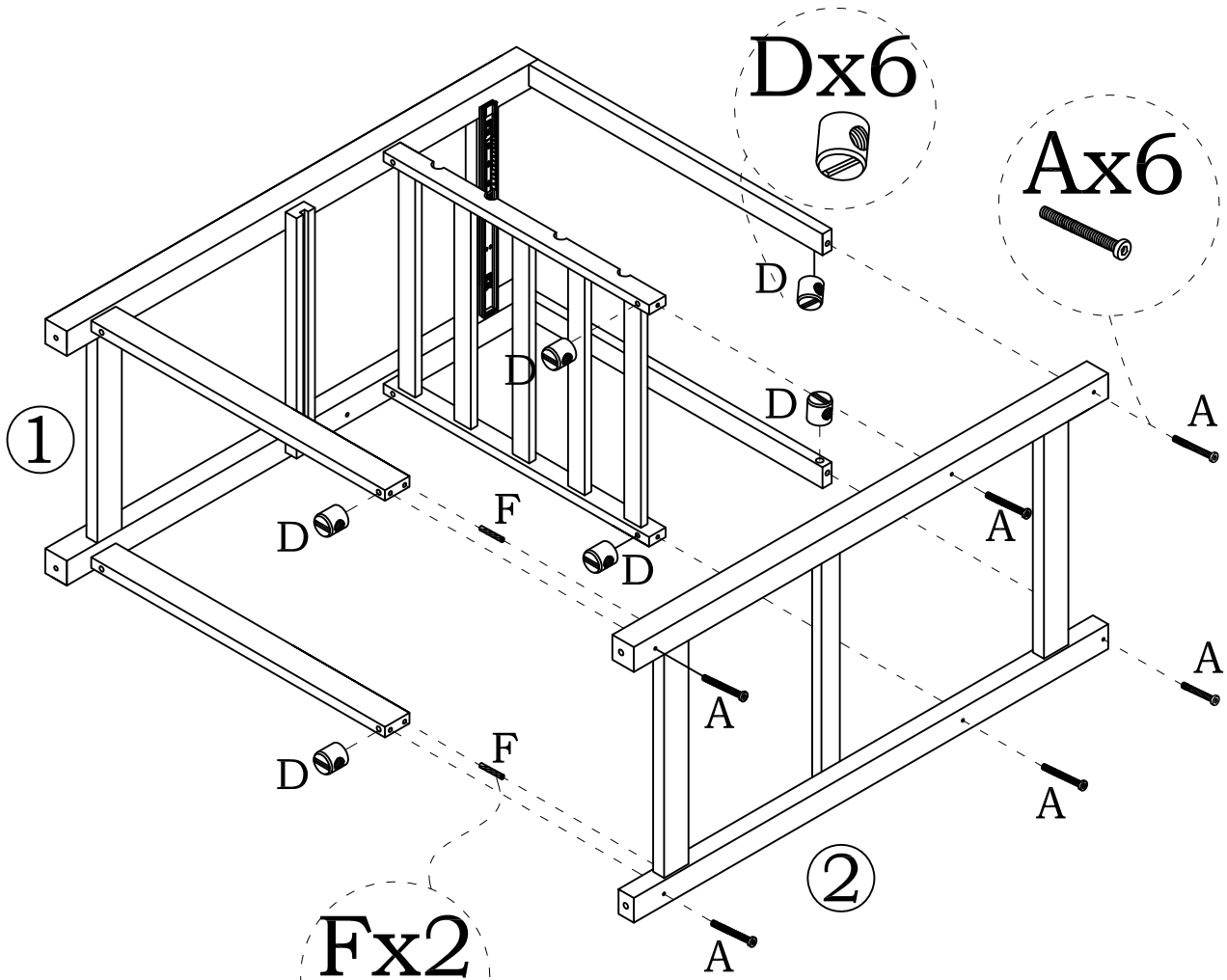


5

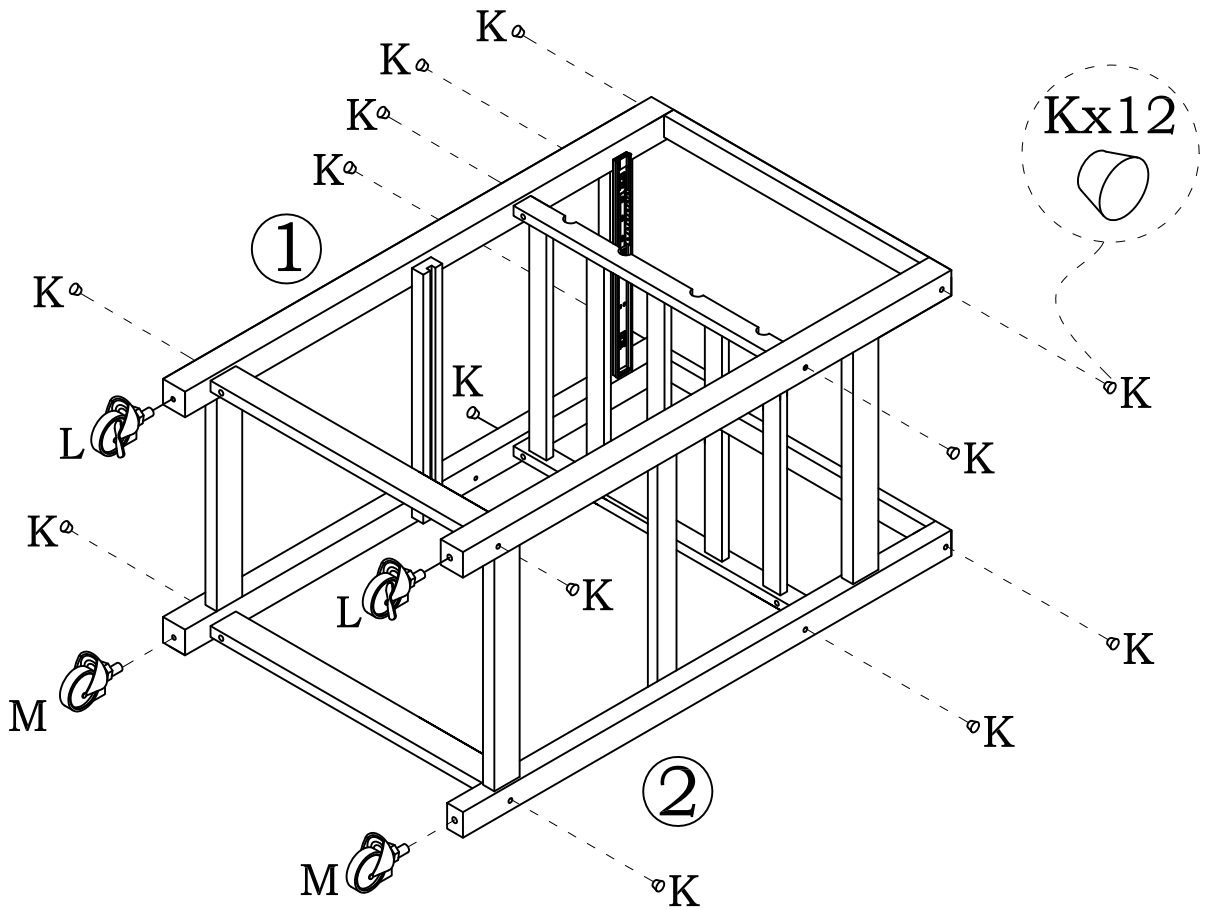


5-9

6

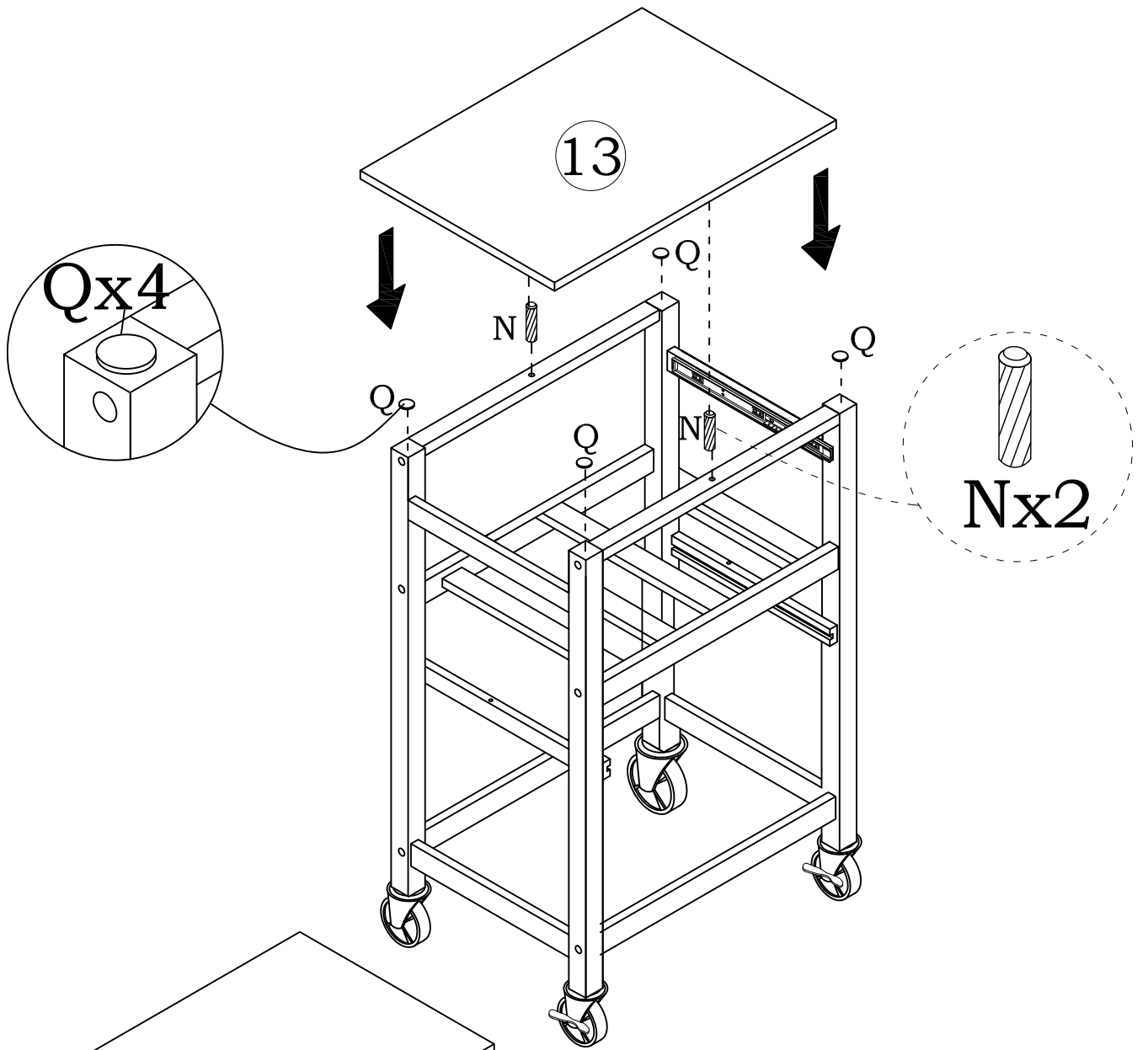


7

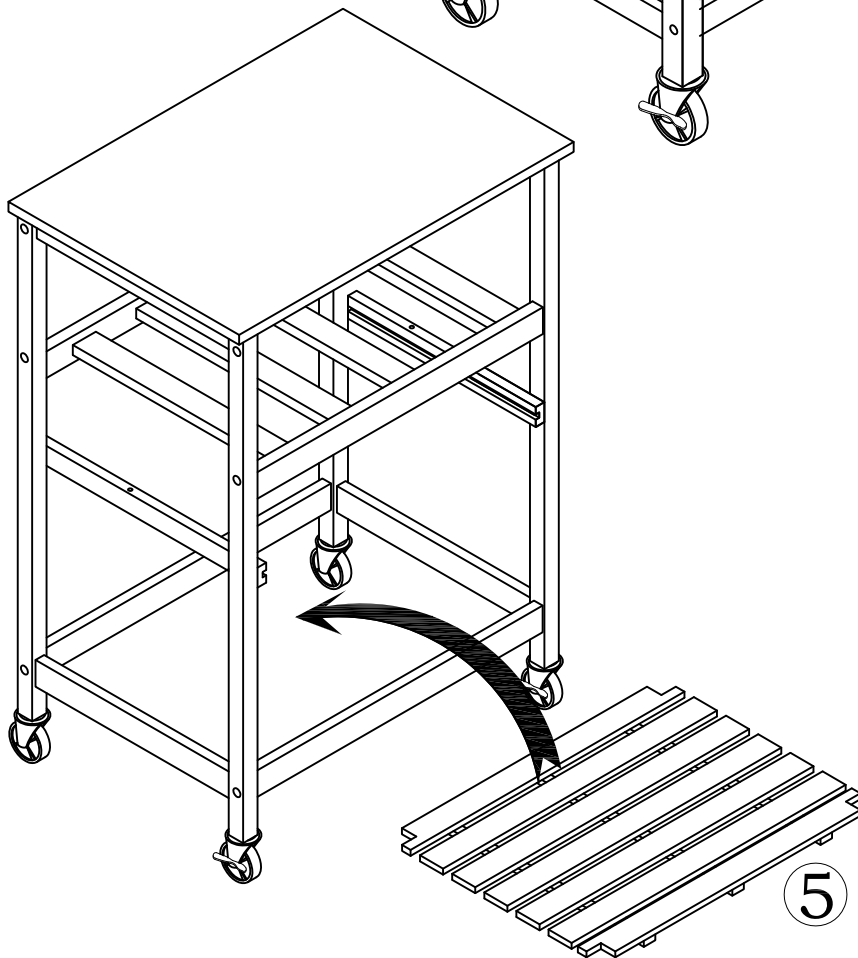


6-9

8

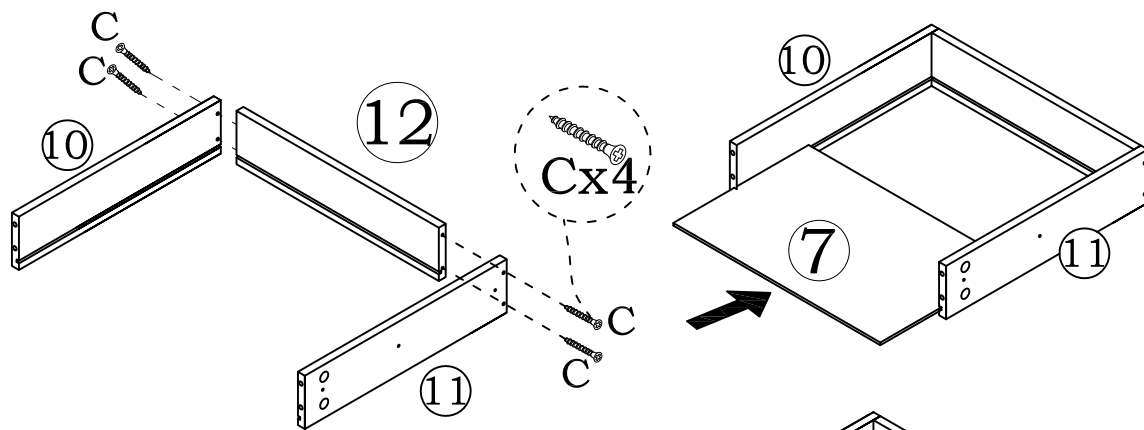


9

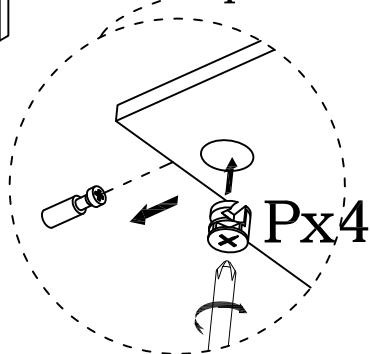
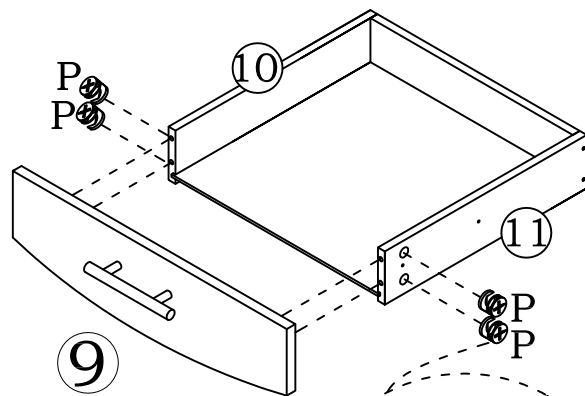
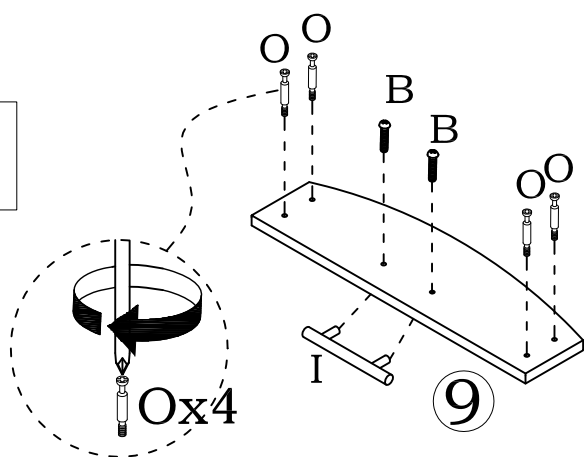


7-9

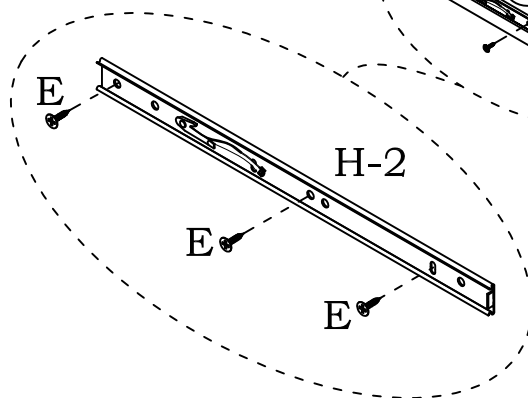
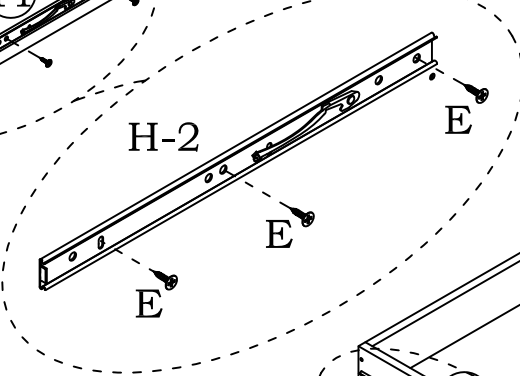
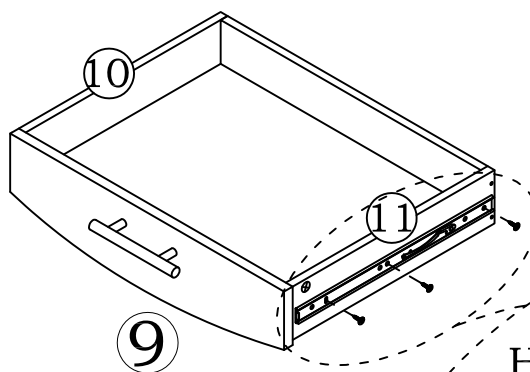
10



11

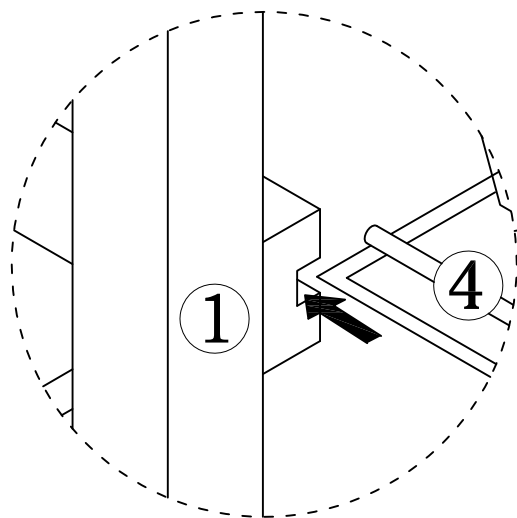
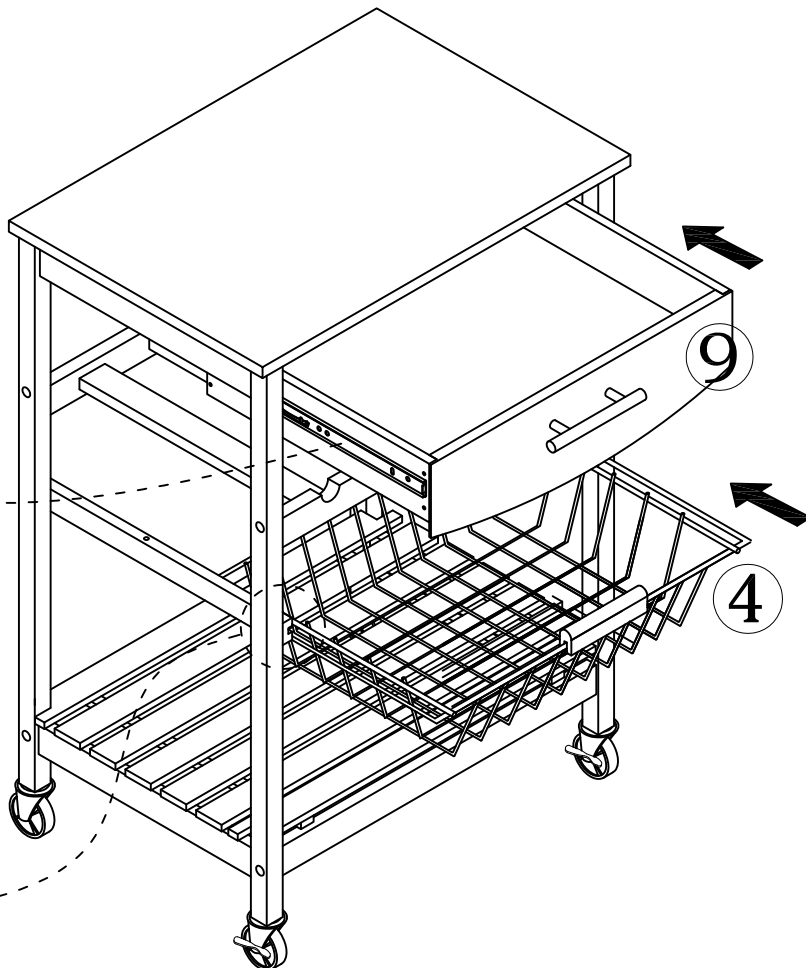
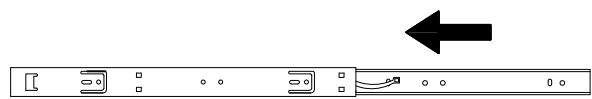


12





13



14

