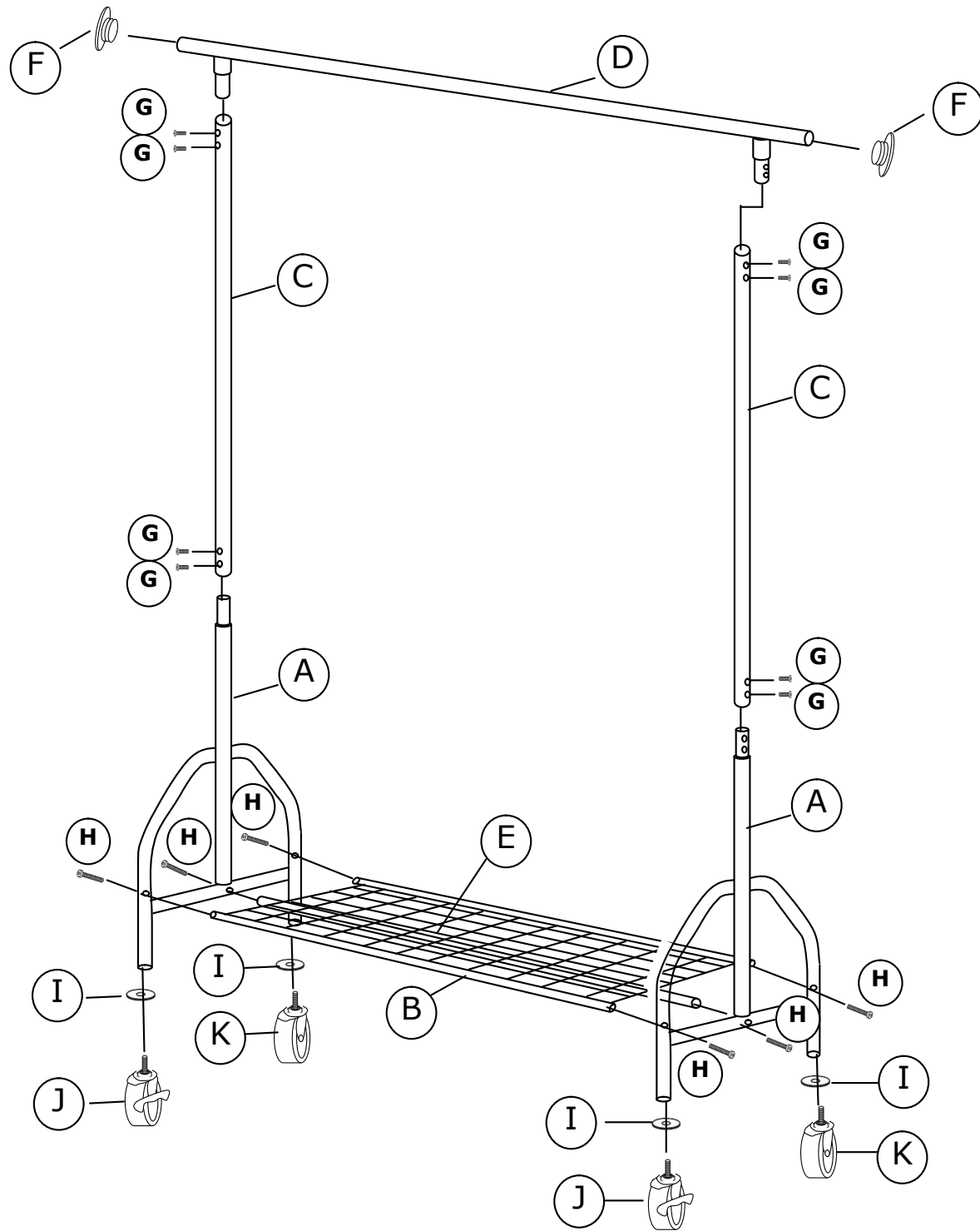


# 323-12-1013



<p>(A)</p> <p>x 2</p>	<p>(E)</p> <p>x 1</p>	<p>(I)</p> <p>x 4</p>
<p>(B)</p> <p>x 1</p>	<p>(F)</p> <p>x 2</p>	<p>(J)</p> <p>x 2</p>
<p>(C)</p> <p>x 2</p>	<p>(G)</p> <p>x 8</p>	<p>(K)</p> <p>x 2</p>
<p>(D)</p> <p>x 1</p>	<p>(H)</p> <p>x 6</p>	<p>(L)</p> <p>x 1</p>